

Spindle axes EGC-BS-KF, with recirculating ball bearing guide



Spindle axes EGC-BS-KF, with recirculating ball bearing guide

Key features



At a glance

Powerful

- Generously sized profiles with an optimised cross section afford maximum rigidity and load capacity
- Speed, acceleration and torque resistance set a new standard

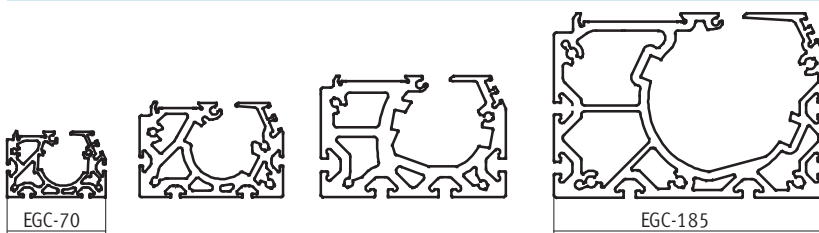
Economical

- In addition to the technical data, the spindle axis is a winner with its excellent price/performance ratio
- Due to the EGC's high performance it is often possible to use a smaller size

Versatile

- Different spindle pitches, numerous sizes and variants such as protected guides open up a broad range of applications
- Space-saving position sensing with proximity sensor in the profile slot is possible
- Wide range of options for mounting on drives
- Comprehensive range of mounting accessories for multi-axis combinations
- Spindle support enables maximum travel speed with all stroke lengths (on request)

Comprehensive range for the most varied load conditions



Characteristic values of the axes

The specifications shown in the table are maximum values.

The precise values for each of the variants can be found in the relevant technical data in the catalogue.

Version	Size	Working stroke [mm]	Speed [m/s]	Repetition accuracy [mm]	Feed force [N]	Guide characteristics				
						Forces and torques				
						F _y [N]	F _z [N]	M _x [Nm]	M _y [Nm]	M _z [Nm]
Recirculating ball bearing guide										
	70	50 ... 1,000	0.5	±0.02	300	1,850	1,850	16	132	132
	80	50 ... 2,000	1.0	±0.02	600	3,050	3,050	36	228	228
	120	50 ... 2,500	1.5	±0.02	1,300	6,890	6,890	144	680	680
	185	50 ... 3,000	2.0	±0.02	3,000	15,200	15,200	529	1,820	1,820

- - Note

PositioningDrives
sizing software
www.festo.com

Spindle axes EGC-BS-KF, with recirculating ball bearing guide

Key features

FESTO

Slide variants

Standard slide



Extended slide

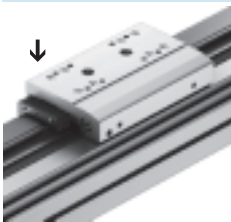


Additional slide



Guide options

Protected version



- The protected guide cleans the guide rail and protects the recirculating ball bearing guide with the aid of an additional wiper

With central lubrication



- The lubrication adapter enables the guide to be permanently lubricated using semi or fully automatic relubrication devices
- The adapters are suitable for oils and greases
- Both lubrication adapters must be connected

Complete system comprising spindle axis, motor, motor controller and motor mounting kit

Spindle axis with recirculating ball bearing guide



Motor mounting kit

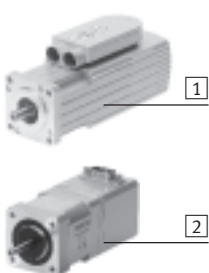
Axial kit




Kit comprising:

- Motor flange
- Coupling housing
- Coupling
- Screws

Motor

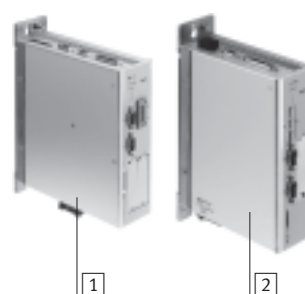


- 1 Servo motor EMMS-AS
- 2 Stepper motor EMMS-ST

 Note

A range of specially adapted complete solutions is available for the spindle axis EGC and the motors.

Motor controller

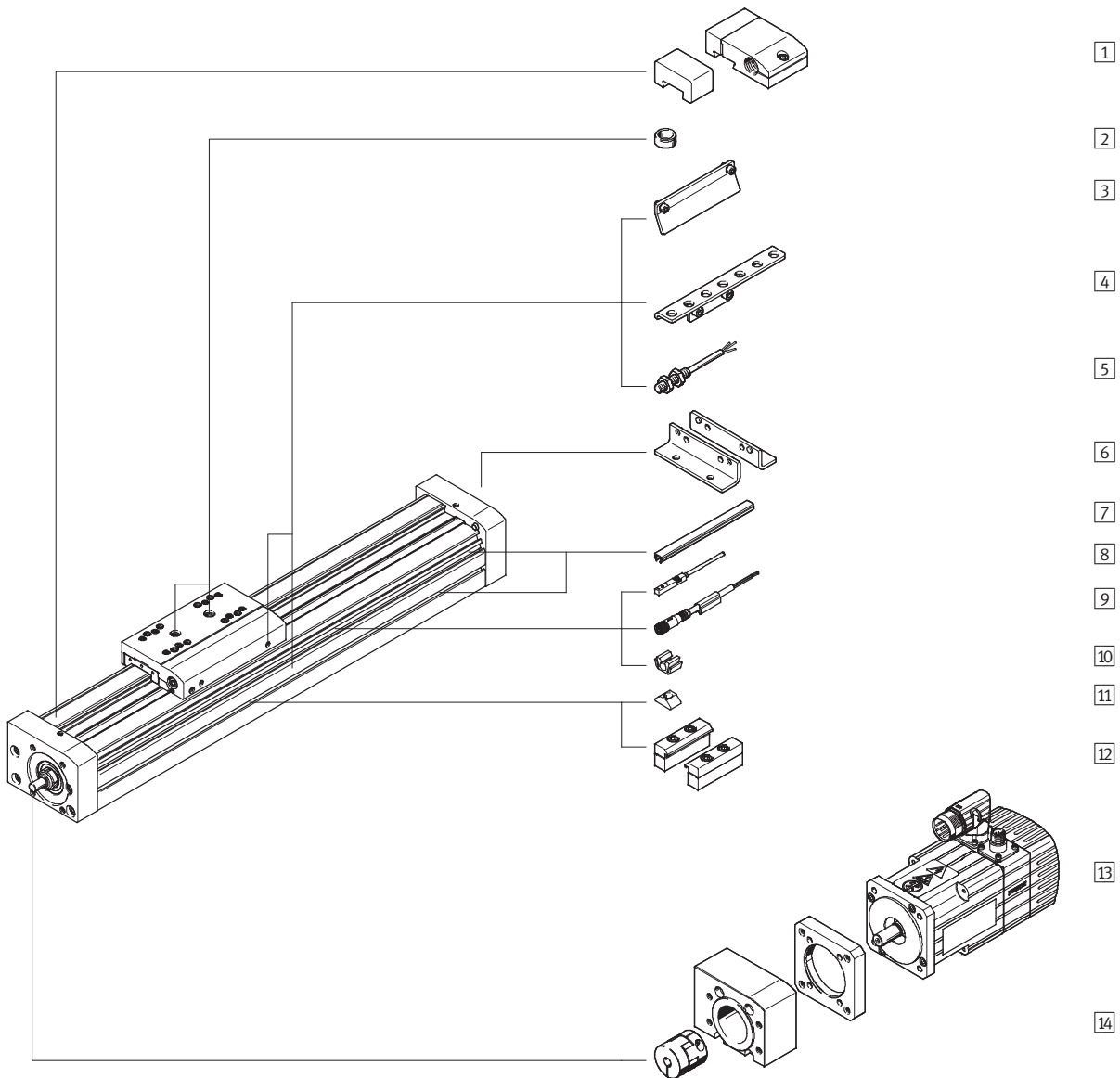


- 1 Servo motor controller
CMMP-AS, CMMS-AS
- 2 Stepper motor controller
CMMS-ST

Spindle axes EGC-BS-KF, with recirculating ball bearing guide

Peripherals overview

FESTO



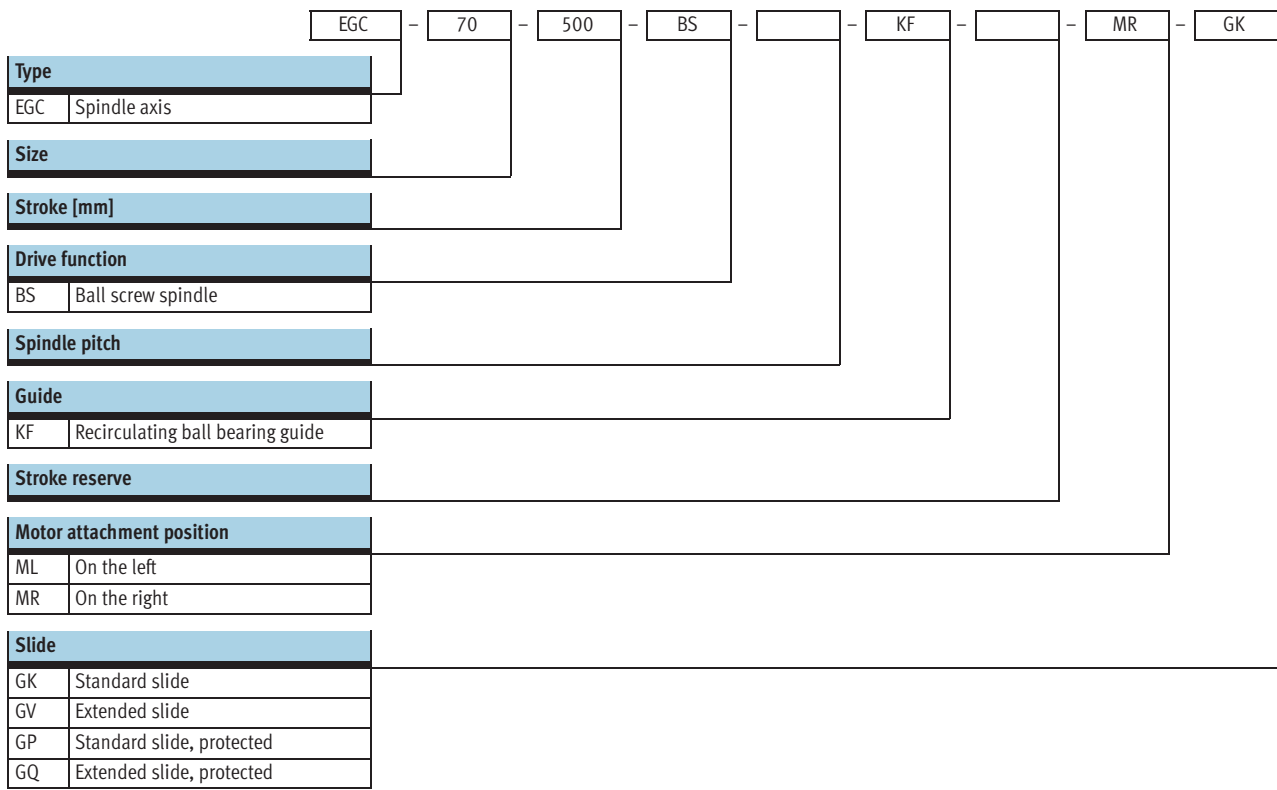
Spindle axes EGC-BS-KF, with recirculating ball bearing guide

Peripherals overview

Variants and accessories		
Type	Brief description	→ Page/Internet
1 Emergency buffer with retainer A	For avoiding damage at the end stop in the event of malfunction	38
2 Centring pin/sleeve ZBS, ZBH	<ul style="list-style-type: none"> For centring loads and attachments on the slide 2 centring pins/sleeves included in the scope of delivery for the axis 	40
3 Switch lug X, Z, O, P, W, R	For sensing the slide position	38
4 Sensor retainer O, P, W, R	Adapter for mounting the inductive proximity sensors (round design) on the axis	39
5 Proximity sensor, M8 O, P, W, R	<ul style="list-style-type: none"> Inductive proximity sensor, round design With the order code O, P, W, R, 1 switch lug and max. 2 sensor retainers are included in the scope of delivery 	41
6 Foot mounting F	For mounting the axis on the end cap (only possible on one side)	37
7 Slot cover B, S	<ul style="list-style-type: none"> For protecting against ingress of dirt 	40
8 Proximity sensor, slot type 8 X, Z	<ul style="list-style-type: none"> Inductive proximity sensor, for slot type 8 For the order code X, Z, 1 switch lug is included in the scope of delivery 	40
9 Plug socket with cable V	For proximity sensor (order code W and R)	41
10 Clip CL	For mounting the proximity sensor cable in the slot	40
11 Slot nut Y	For mounting attachments	40
12 Profile mounting M	For mounting the axis on the profile	37
13 Motor EMMS	Motors specially matched to the axis, with or without brake	34
14 Axial kit EAMM	For axial motor mounting (comprising: clutch, clutch housing and motor flange)	34
– Passive guide axis EGC-FA	Axis without drive	egc-fa

Spindle axes EGC-BS-KF, with recirculating ball bearing guide

Type codes



Spindle axes EGC-BS-KF, with recirculating ball bearing guide

FESTO

Type codes

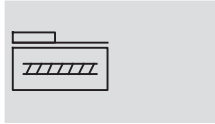
→				ZUB	F2MX2Z	DN
Additional slide						
KL	Standard, left					
Additional slide						
KR	Standard, right					
Lubrication function						
-	Standard					
C	Lubrication adapter					
Accessories enclosed separately						
F	Foot mounting					
...M	Profile mounting					
...B	Mounting slot cover					
...S	Sensor slot cover					
...Y	Slot nut for mounting slot					
...X	Proximity sensor (SIES), inductive, slot type 8, PNP, N/O contact, cable 7.5 m					
...Z	Proximity sensor (SIES), inductive, slot type 8, PNP, N/C contact, cable 7.5 m					
...A	Emergency buffer with retainer					
...O	Proximity sensor (SIEN), inductive, M8, PNP, N/O contact, cable 2.5 m					
...P	Proximity sensor (SIEN), inductive, M8, PNP, N/C contact, cable 2.5 m					
...W	Proximity sensor (SIEN), inductive, M8, PNP, N/O contact, plug M8					
...R	Proximity sensor (SIEN), inductive, M8, PNP, N/C contact, plug M8					
...V	Connection cable					
...CL	Cable clip					
Operating instructions						
DN	No					



Spindle axes EGC-BS-KF, with recirculating ball bearing guide

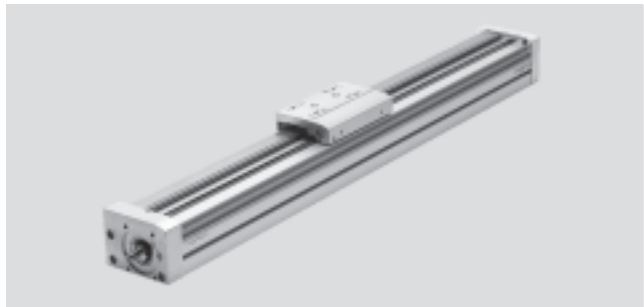
FESTO

Technical data

Function



-  - Size
70 ... 185
-  - Stroke length
50 ... 3,000 mm



General technical data								
Size			70	80		120		185
Spindle pitch			10	10	20	10	25	40
Design	Electromechanical axis with recirculating ball bearing spindle							
Guide	Recirculating ball bearing guide							
Mounting position	Any							
Working stroke	GK/GP	[mm]	50 ... 1,000	50 ... 2,000		50 ... 2,500		50 ... 3,000
	GV/GQ	[mm]	50 ... 900	50 ... 1,900		50 ... 2,400		50 ... 2,900
Max. feed force F_x		[N]	300	600		1,300		3,000
No-load torque at min. travel speed		[Nm]	0.1	0.1	0.2	0.5	0.6	1.5
		[m/s]	0.05	0.1	0.1	0.2	0.2	0.2
No-load torque at max. travel speed		[Nm]	0.2	0.3	0.45	1	1.4	4.3
		[m/s]	0.5	0.5	1	0.6	1.5	2
Max. radial force ¹⁾		[N]	220	250		500		4,000
Max. rotational speed ²⁾		[rpm]	3,000	3,000		3,600		3,000
Max. acceleration		[m/s ²]	15					
Repetition accuracy		[mm]	±0.02					

- 1) At the drive shaft
- 2) Rotational speed and speed are stroke-dependent

Operating and environmental conditions		
Ambient temperature	[°C]	-10 ... +60
Protection class		IP40
Duty cycle	[%]	100

Weight [kg]					
Size		70	80	120	185
Basic weight with 0 mm stroke ¹⁾	GK/GP	1.5	2.7	12.5	30
	GV/GQ	2	3.5	14.4	34.5
Additional weight per 1,000 mm stroke		5	8	19	39
Moving load	GK/GP	0.4	0.74	2.4	8.6
	GV/GQ	0.6	0.95	2.9	9.85
Additional slide	KL/KR	0.3	0.55	2	6

- 1) Incl. slide

Spindle axes EGC-BS-KF, with recirculating ball bearing guide

Technical data

Spindle							
Size		70	80	120	185		
Diameter	[mm]	12	15	25	40		
Pitch	[mm/rev.]	10	10	20	10	25	40

Mass moment of inertia							
Size		70	80	120	185		
Spindle pitch		10	10	20	10	25	40
J ₀	GK [kg mm ²]	1.99	5.2	5.2	64.46	64.46	594
	GV [kg mm ²]	3.41	8.67	8.68	92	92	774.71
J _S per metre stroke	[kg mm ² /m]	14.2	34.6	34.6	275.6	275.6	1803.1
J _L per kg effective load	[kg mm ² /kg]	2.53	2.53	10.13	2.53	15.83	40.53
J _W Additional slide	GK [kg mm ²]	1.04	1.86	7.46	6.09	38.06	348.87
	GV [kg mm ²]	1.48	2.34	9.35	7.34	45.85	399.08

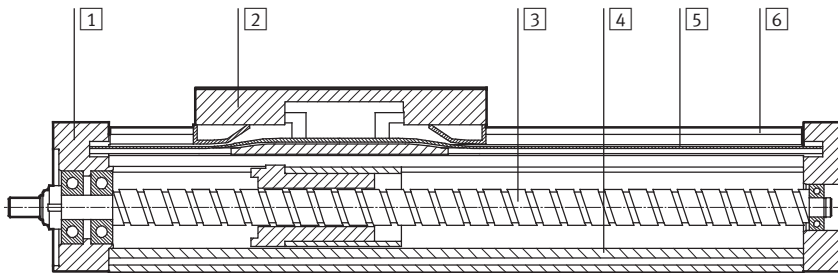
The mass moment of inertia J_A of the entire axis is calculated as follows:

$$J_A = J_0 + K \times J_W + J_S \times \text{working stroke [m]} + J_L \times m_{\text{effective load [kg]}}$$

K = Number of additional slides

Materials

Sectional view



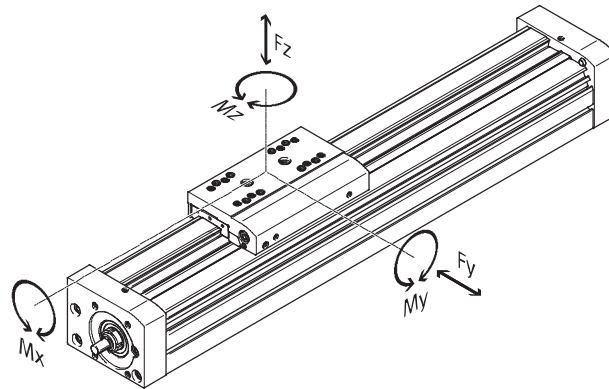
Axis		
1	End cap	Anodised wrought aluminium alloy
2	Slide	Anodised wrought aluminium alloy
3	Spindle	Steel
4	Profile	Anodised aluminium
5	Cover band	Polyurethane
6	Guide rail	High-alloy steel
Note on materials		RoHS-compliant

Spindle axes EGC-BS-KF, with recirculating ball bearing guide

Technical data

Characteristic load values

The indicated forces and torques refer to the slide surface. The point of application of force is the point where the centre of the guide and the longitudinal centre of the slide intersect. These values must not be exceeded during dynamic operation. Special attention must be paid to the cushioning phase.



If the axis is subjected to more than two of the indicated forces and torques simultaneously, the following equation must be satisfied in addition to the indicated maximum loads:

Calculating the load comparison factor:

$$f_v = \frac{|F_{y,dyn}|}{F_{y,max}} + \frac{|F_{z,dyn}|}{F_{z,max}} + \frac{|M_{x,dyn}|}{M_{x,max}} + \frac{|M_{y,dyn}|}{M_{y,max}} + \frac{|M_{z,dyn}|}{M_{z,max}}$$

Permissible forces and torques						
Size		70	80	120	185	
F _{y,max.}	[N]	1,850	3,050	6,890	15,200	
F _{z,max.}	[N]	1,850	3,050	6,890	15,200	
M _{x,max.}	[Nm]	16	36	144	529	
M _{y,max.}	GK/GP [Nm]	51	97	380	1,157	
M _{z,max.}	GK/GP [Nm]	51	97	380	1,157	
M _{y,max.}	GV/GQ [Nm]	132	228	680	1,820	
M _{z,max.}	GV/GQ [Nm]	132	228	680	1,820	

Basic load ratings							
Size		70	80	120	185		
Spindle pitch		10	10	20	10	25	40
Ball screw							
Dynamic c _{dyn,BS}	[N]	4,000	6,820	7,480	16,000	13,700	36,200

Spindle axes EGC-BS-KF, with recirculating ball bearing guide

Technical data

Calculating service life

The service life of the guide depends on the load. To provide a rough indication of the service life of the guide, the

graph below plots the load comparison factor f_v against the service life.

These values are only theoretical. Consultation with your local contact person at Festo is mandatory for load

comparison factors f_v greater than 1.5.

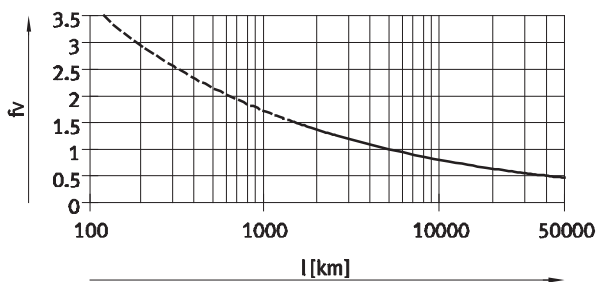
Load comparison factor f_v as a function of service life


Example:

A user wants to move an X kg load.

Using the formula $\rightarrow 10$ gives a value of 1.5 for the load comparison factor f_v . According to the graph, the guide would have a service life of

approx. 1,500 km. Reducing the acceleration reduces the M_z and M_y values. A load comparison factor f_v of 1 now gives a service life of 5,000 km.



 Note

PositioningDrives
sizing software
www.festo.com

The guide workload for a service life of 5,000 km can be calculated with the help of the sizing software.

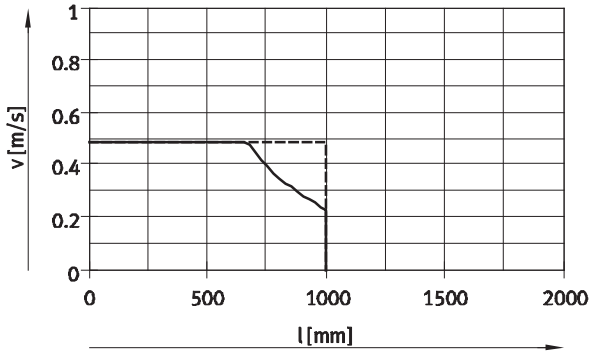
$f_v > 1.5$ are only theoretical comparison values for the recirculating ball bearing guide.

Spindle axes EGC-BS-KF, with recirculating ball bearing guide

Technical data

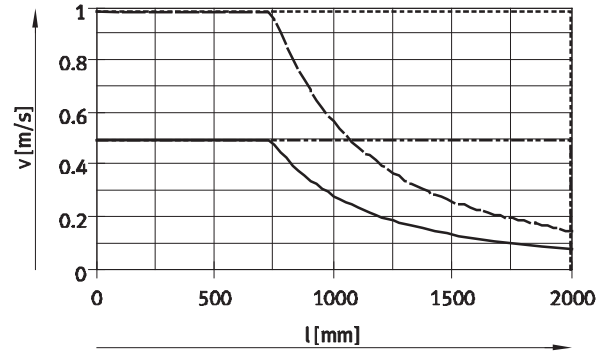
Speed v as a function of working stroke l

EGC-70



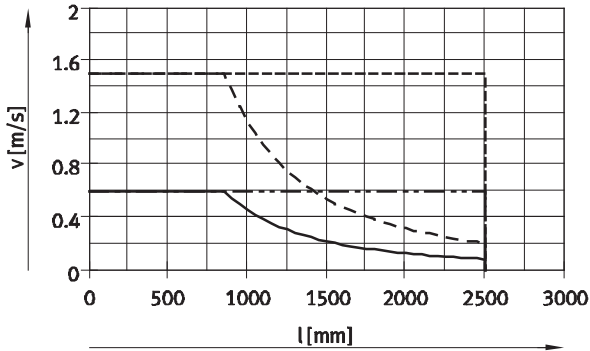
- EGC-70-10P without spindle support
- - - EGC-70-10P with spindle support

EGC-80



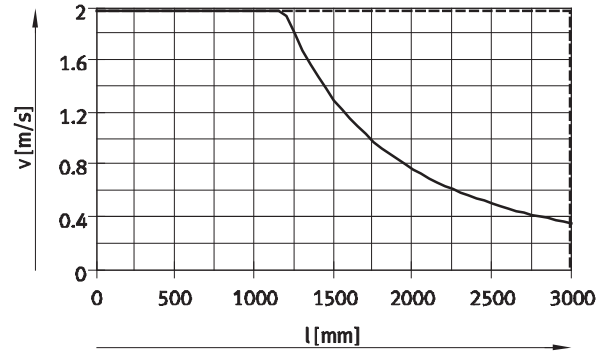
- EGC-80-10P without spindle support
- - - EGC-80-10P with spindle support
- · - EGC-80-20P without spindle support
- - - EGC-80-20P with spindle support

EGC-120



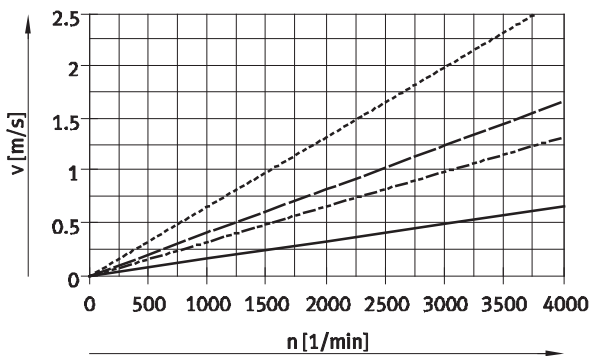
- EGC-120-10P without spindle support
- - - EGC-120-10P with spindle support
- · - EGC-120-25P without spindle support
- - - EGC-120-25P with spindle support

EGC-185



- EGC-185-40P without spindle support
- - - EGC-185-40P with spindle support

Speed v as a function of rotational speed n



Note
Rotational speed is stroke-dependent.
Note maximum rotational speed.

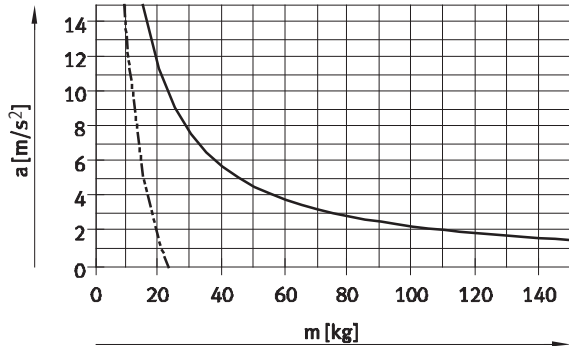
- EGC-70/-80-10P/-120-10P
- - - EGC-80-20P
- · - EGC-120-25P
- - - EGC-185

Spindle axes EGC-BS-KF, with recirculating ball bearing guide

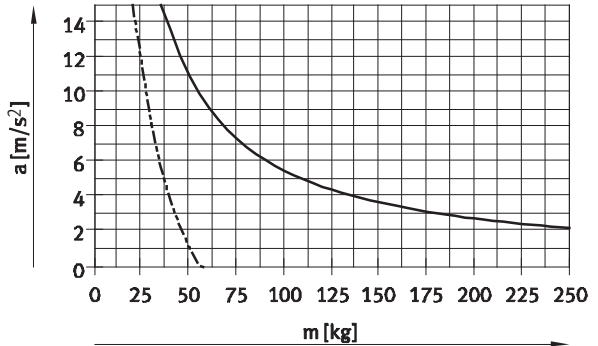
Technical data

Maximum acceleration a as a function of applied load m

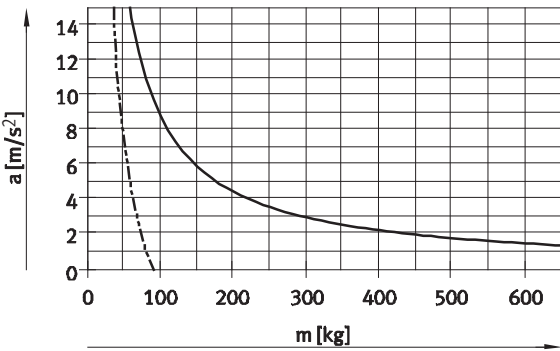
EGC-70



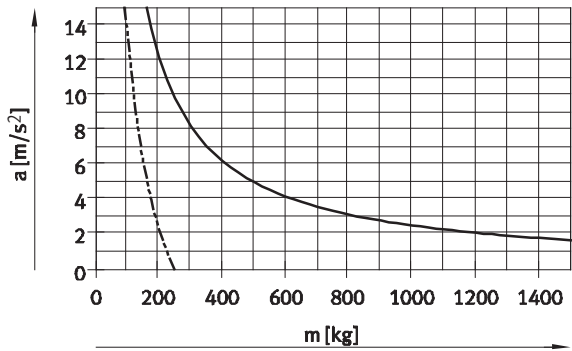
EGC-80



EGC-120



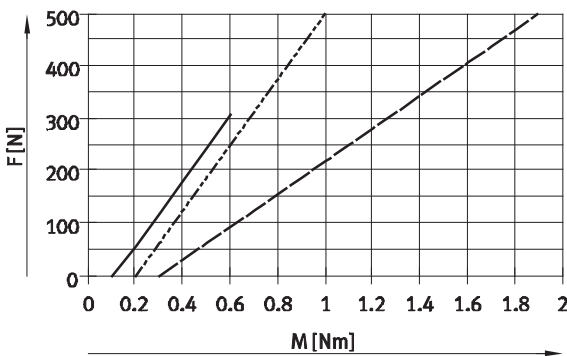
EGC-185



— Horizontal mounting position - - - - - Vertical mounting position

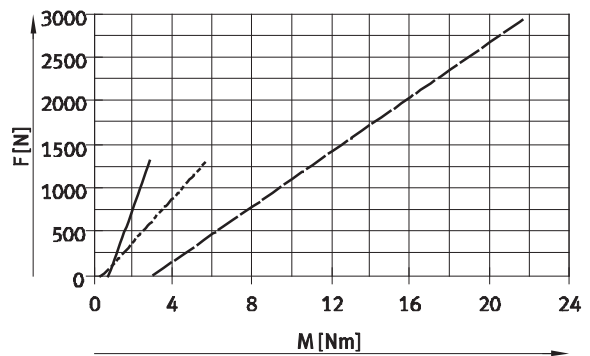
Theoretical feed force F as a function of input torque M

EGC-70/-80



— EGC-70-10P - - - - - EGC-80-20P
- - - - - EGC-80-10P

EGC-120/-185



— EGC-120-BS-10P - - - - - EGC-185-BS-40P
- - - - - EGC-120-BS-25P

Spindle axes EGC-BS-KF, with recirculating ball bearing guide

Technical data

FESTO

Stroke reserve

Stroke length **Stroke reserve**

The selected stroke corresponds in principle to the required working stroke. The variants GK/GV do not have a wiper seal on the guide. These variants therefore additionally have a safety distance between the drive cap and slide that is not designated as part of the working stroke.

A safety distance (similar to GK/GV) between the drive cap and slide can be defined for the variants GP/GQ and GK-C/GV-C using the modular product system via the "stroke reserve" feature. With the variants GK/GV, the stroke reserve and safety distance are added for each end position.

- The stroke reserve length can be freely selected
- The sum of the stroke length and 2x stroke reserve must not exceed the maximum working stroke

Example:
EGC-70-500-BS-10P-KF-20H-...
Working stroke = 500 mm
2x stroke reserve = 40 mm
Total stroke = 540 mm
(540 mm = 500 mm + 2x 20 mm)

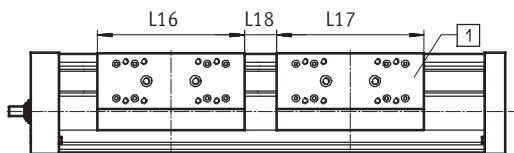
Size	70	80		120		185
Spindle pitch	10	10	20	10	25	40
L9 = safety distance with GK/GV (per end position) [mm]	10.5	13	13	18	18	21

Working stroke reduction

With standard slide GK/GP / extended slide GV/GQ with additional slide KL/KR

- For a spindle axis with additional slide, the working stroke is reduced by the length of the additional slide and the distance between both slides
- If the variant GP/GQ is ordered, the additional slide is also protected
- If the variant GV/GQ is ordered, the additional slide is not extended
- If the variant GK-C/GV-C is ordered, the additional slide is also supplied with lubrication adapters

L16 = Slide length L18 = Distance between both slides
L17 = Additional slide length 1 Additional slide



Example:
Type EGC-70-500-BS-...-GK-KR
Working stroke without additional slide = 500 mm
L18 = 20 mm
L16, L17 = 100 mm
Working stroke with additional slide = 380 mm
(500 mm - 20 mm - 100 mm)

Dimensions – Additional slide

Size	70		80		120		185	
	GK/GV	GP/GQ	GK/GV	GP/GQ or GK-C/GV-C	GK/GV	GP/GQ or GK-C/GV-C	GK/GV	GK-C/GV-C
Length L17 [mm]	100	121	120	146	200	236	280	322
Min. distance between the slides L18 [mm]	-	21	-	26	-	36	-	42

Working stroke reduction per side

With integrated emergency buffer NPE and shock absorber retainer KYE

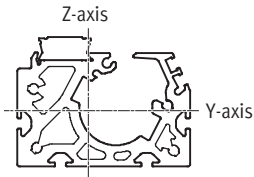
- With a spindle axis, the working stroke is reduced by the total dimension of the emergency buffer and shock absorber retainer. The rubber buffer in the cap must be removed.
- Shock absorbers must not be used in combination with GK-C/GV-C.

Size	70	80	120	185
With emergency buffer [mm]	43	68	98	133

Spindle axes EGC-BS-KF, with recirculating ball bearing guide

Technical data

2nd moment of area

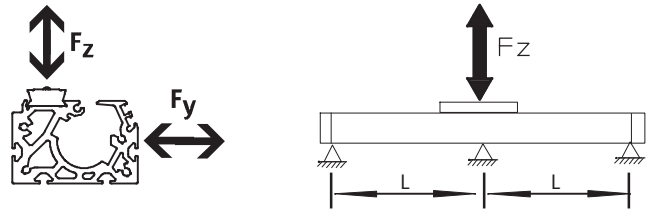


Size		70	80	120	185
I_y	[mm ⁴]	4.19×10^5	9.81×10^5	5.01×10^6	2.61×10^7
I_z	[mm ⁴]	5.78×10^5	1.32×10^6	5.82×10^6	2.6×10^7

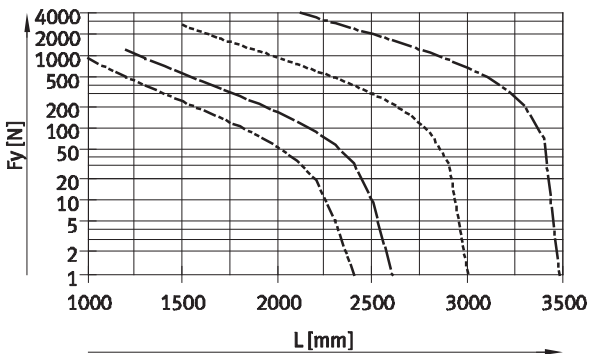
Maximum permissible support span L (without profile mounting) as a function of force F

In order to limit deflection in the case of large strokes, the axis may need to be supported.

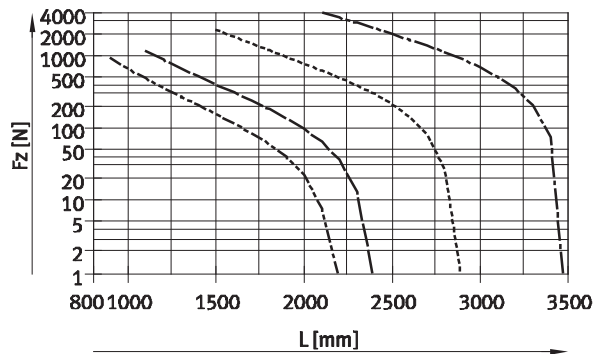
The following graphs serve to determine the maximum permissible support span L as a function of force F acting on the axis. The deflection is $f = 0.5$ mm.



Force F_y



Force F_z



- EGC-70
- EGC-80
- EGC-120
- EGC-185

Recommended deflection limits

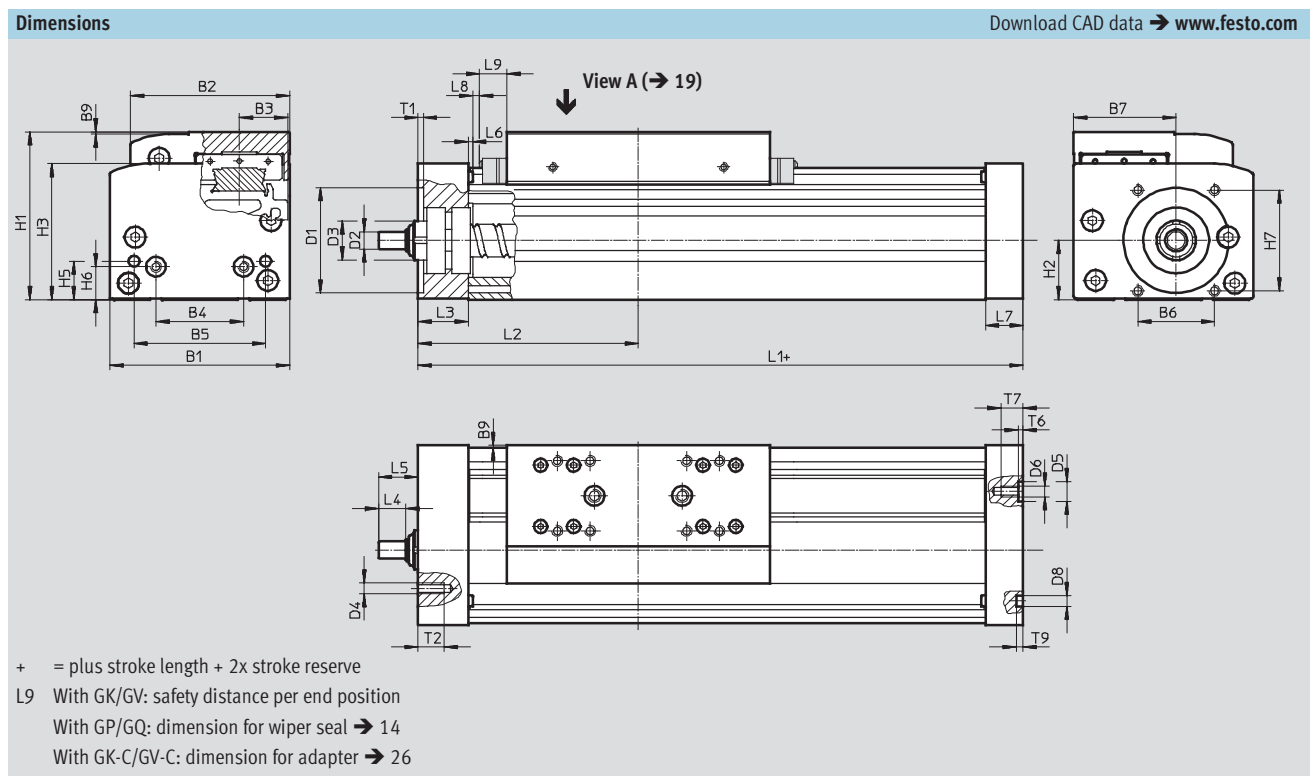
Adherence to the following deflection limits is recommended so as not to impair the functional performance of

the axes. Greater deformation can result in increased friction, greater wear and reduced service life.

Size	Dyn. deflection (load moving)	Stat. deflection (stationary load)
70 ... 185	0.05% of the axis length, max. 0.5 mm	0.1% of the axis length

Spindle axes EGC-BS-KF, with recirculating ball bearing guide

Technical data




Size	Variant	Stroke	B1	B2	B3	B4	B5	B6	B7	B9	D1 ∅ H7	D2 ∅ h7	D3
70	GK/GP	50 ... 1,000	69	58.6	16.5	30	45	29	39	1	38	6	≈13
	GV/GQ	50 ... 900											
80	GK/GP	< 1,477	82	72.6	22	40	60	35	46.75	1	48	8	∅18
		≥ 1,477											
	GV/GQ	< 1,377											
		≥ 1,377											
120	GK/GP	< 1,704	120	107	33	80	40	64	78	1	62	12	∅28
		≥ 1,704											
	GV/GQ	< 1,604											
		≥ 1,604											
185	GK/GP	< 2,361	186	169	53	120	80	80	114	1	95	25	∅44
		≥ 2,361											
	GV/GQ	< 2,261											
		≥ 2,261											

Spindle axes EGC-BS-KF, with recirculating ball bearing guide

Technical data

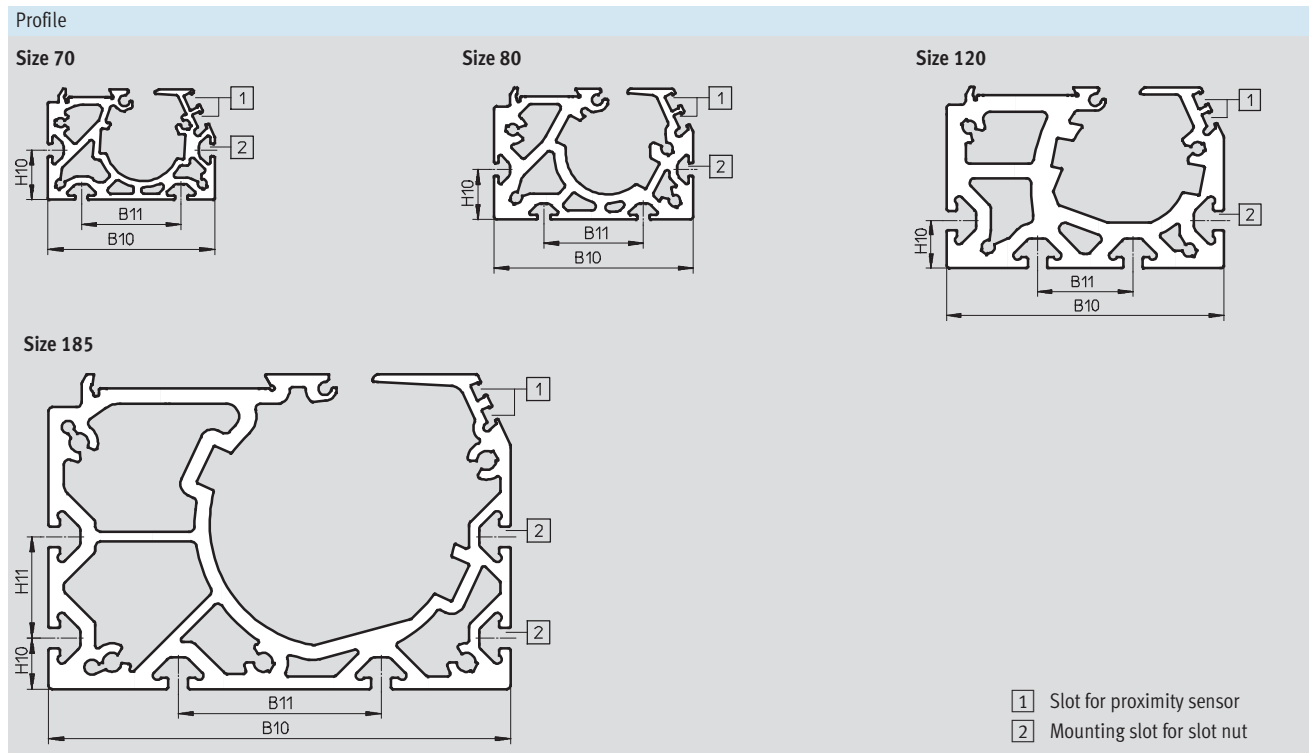
Size	Variant	Stroke	D4	D5 ∅ H7	D6	D8 ∅ H7	H1	H2	H3	H5	H6	H7	L1	L2
70	GK/GP	50 ... 1,000	M5	-	M5	5	64	22.5	50.5	13	13	36	168	86.5
	GV/GQ	50 ... 900											268	136.5
80	GK/GP	< 1,477	M5	9	M5	5	76.5	27	62	17.5	15	46	196	101
		≥ 1,477											236	121
	GV/GQ	< 1,377											296	151
		≥ 1,377											336	171
120	GK/GP	< 1,704	M6	-	M8	9	111.5	42.5	89.5	22	22	54	309	156
		≥ 1,704											369	186
	GV/GQ	< 1,604											409	206
		≥ 1,604											469	236
185	GK/GP	< 2,361	M8	-	M10	9	172.5	65.2	141.5	25	25	80	412	209
		≥ 2,361											512	259
	GV/GQ	< 2,261											512	259
		≥ 2,261											612	309

Size	Variant	Stroke	L3	L4	L5	L6	L7	L8	L9	T1	T2	T6	T7	T9
70	GK/GP	50 ... 1,000	21	8	14	1.8	16	3	10.5	2.5	12	-	10	3.1
	GV/GQ	50 ... 900												
80	GK/GP	< 1,477	23	12.5	18	2	17	3	13	2.5	12	2.1	10	3.1
		≥ 1,477												
	GV/GQ	< 1,377												
		≥ 1,377												
120	GK/GP	< 1,704	33	17.5	25.5	2	30	3	18	3	12	-	16	2.1
		≥ 1,704												
	GV/GQ	< 1,604												
		≥ 1,604												
185	GK/GP	< 2,361	43	23	30.5	2	37	3	21	3	20	-	20	2.1
		≥ 2,361												
	GV/GQ	< 2,261												
		≥ 2,261												

 Note
 To avoid distortions in the slide, the bearing surfaces of the attachments must maintain a flatness of at least 0.01 mm.

Spindle axes EGC-BS-KF, with recirculating ball bearing guide

Technical data



Size	B10	B11	H10	H11
70	67	40	20	-
80	80	40	20	-
120	116	40	20	-
185	182	80	20	40

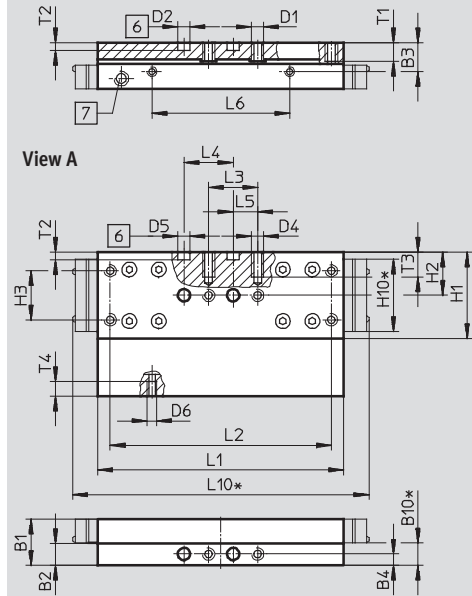
Spindle axes EGC-BS-KF, with recirculating ball bearing guide

Technical data

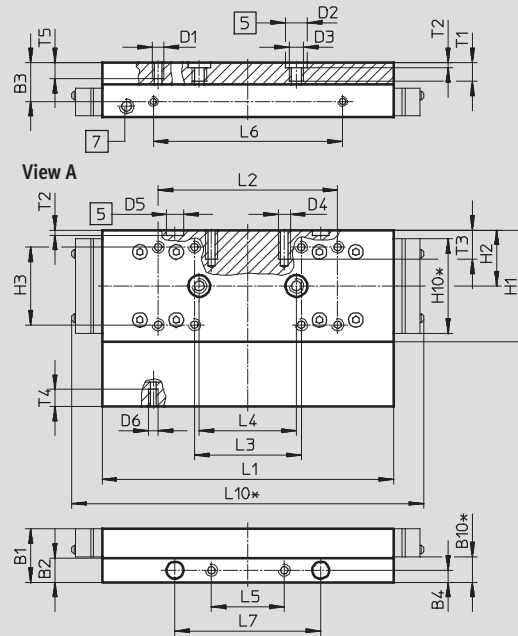
Dimensions Download CAD data → www.festo.com

GK – Standard slide/GP – Standard slide, protected

Size 70



Size 80



- 5 Hole for centring sleeve
- 6 Hole for centring pin
- 7 Lubricating hole for spindle,
M6 threaded connection, 8 mm deep
- * Protected version

Size	B1	B2	B3	B4	B10*	D1	D2 ∅ H7	D3	D4	D5 ∅ H7	D6	H1	H2	H3
70	18.7	8.7	11.7	4.5	9	M5	5	–	M5	5	M4	35	17.5	20 ±0.1
80	22	10	16	5	10.4	M5	9	M6	M5	7	M4	46	23	32 ±0.2

Size	H10*	L1	L2	L3	L4	L5	L6	L7	L10*	T1	T2	T3	T4	T5
		±0.1			±0.03		±0.1	±0.05			+0.1			
70	29.4	100	90 ±0.1	20 ±0.1	20	10 ±0.1	56	–	121	7.5	3.1	10	6	–
80	39	120	74 ±0.2	44 ±0.2	40	30 ±0.1	78	60	145	8.6	2.1	12	7	7.5

* Protected version

Spindle axes EGC-BS-KF, with recirculating ball bearing guide

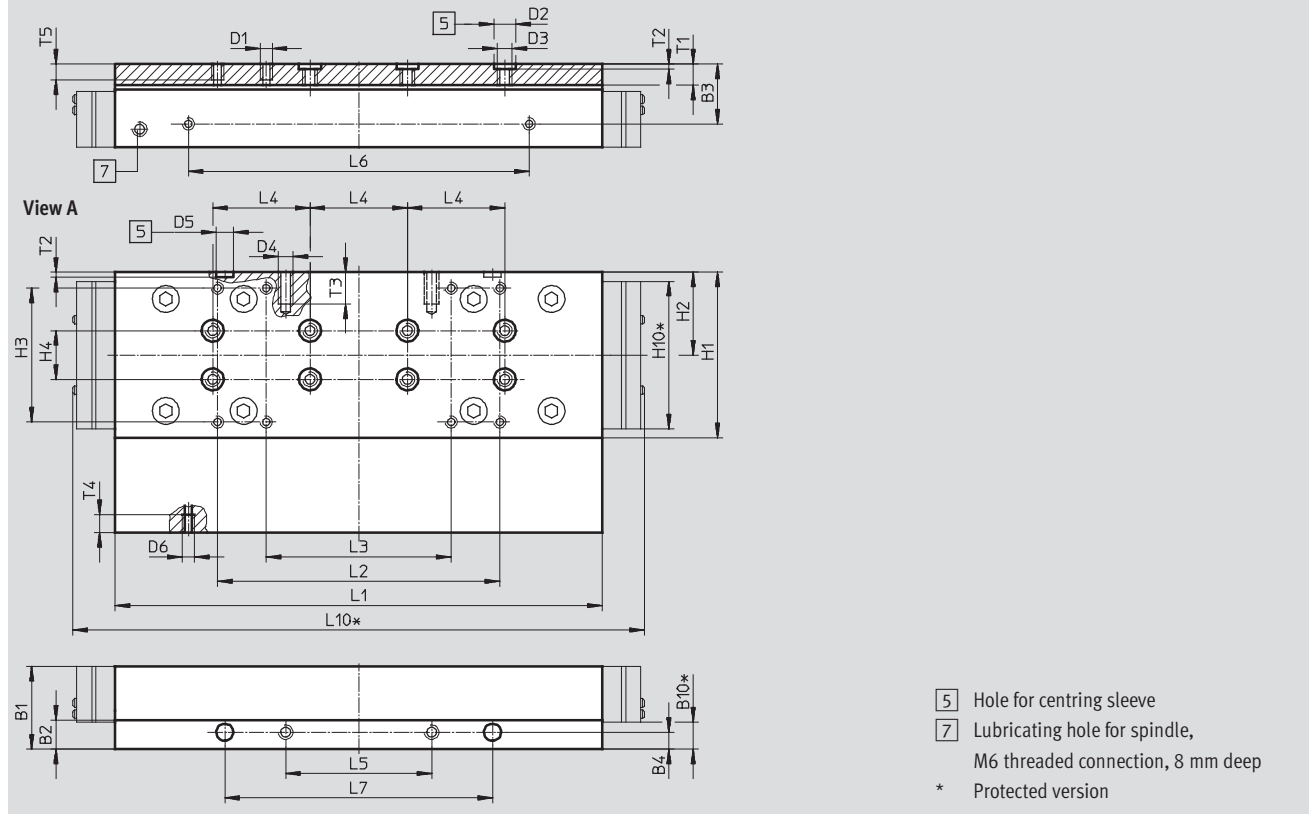


Technical data

Dimensions Download CAD data → www.festo.com

GK – Standard slide/GP – Standard slide, protected

Size 120



Size	B1	B2	B3	B4	B10*	D1	D2 ∅ H7	D3	D4	D5 ∅ H7	D6	H1	H2	H3	H4 ±0.03
120	34	12	24.5	7	11.2	M5	9	M6	M6	7	M5	68	34	55 ±0.2	20

Size	H10*	L1	L2	L3	L4	L5	L6	L7	L10*	T1	T2	T3	T4	T5
120	60.6	±0.1	±0.2	±0.2	±0.03	±0.1	±0.1	±0.05	235	8.6	+0.1	13	7.5	7.5

* Protected version

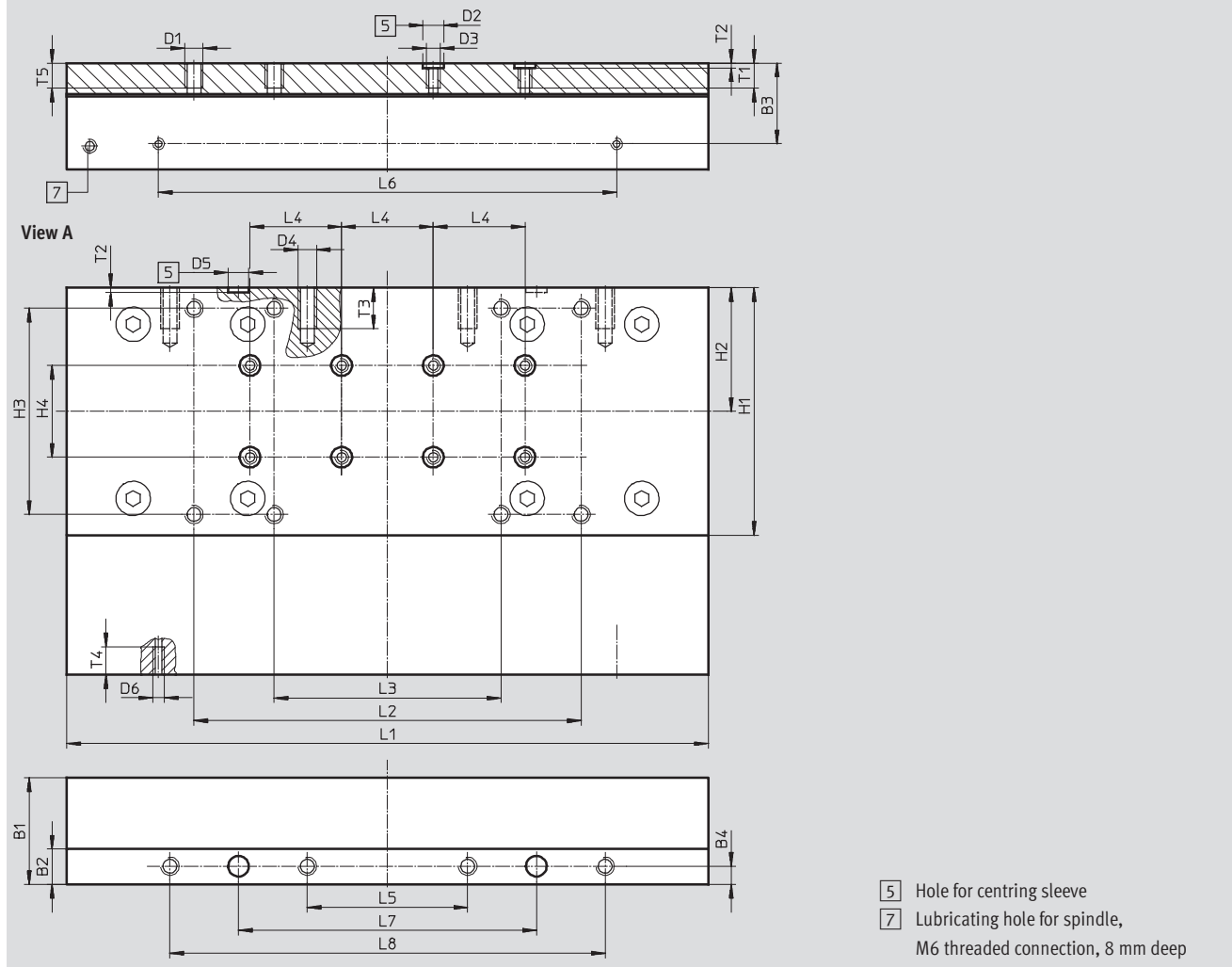
Spindle axes EGC-BS-KF, with recirculating ball bearing guide

Technical data

Dimensions Download CAD data → www.festo.com

GK – Standard slide

Size 185



Size	B1	B2	B3	B4	D1	D2 ∅ H7	D3	D4	D5 ∅ H7	D6	H1	H2	H3 ±0.2	H4 ±0.03
185	46.5	15.5	35.2	8	M8	9	M6	M8	9	M5	108	54	90	40

Size	L1	L2	L3	L4	L5	L6	L7	L8	T1	T2 +0.1	T3	T4	T5
185	±0.1	±0.2	±0.2	±0.03	±0.2	±0.1	±0.05	±0.2	11	2.1	18	12.3	12

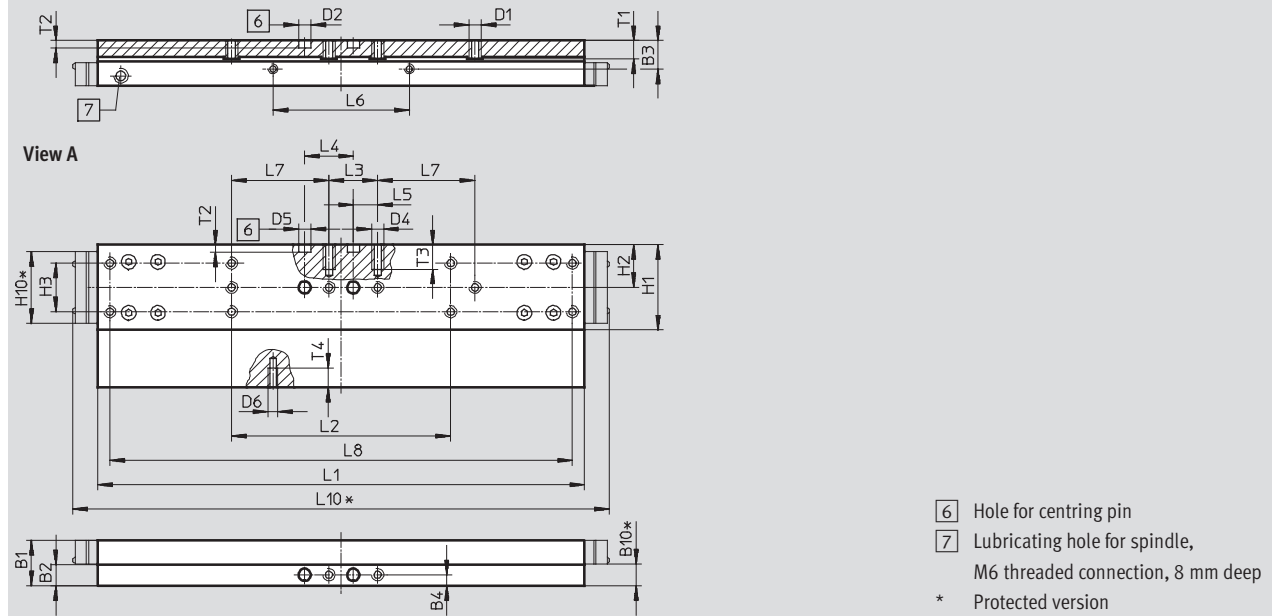
Spindle axes EGC-BS-KF, with recirculating ball bearing guide

Technical data

Dimensions Download CAD data → www.festo.com

GV – Extended slide/GQ – Extended slide, protected

Size 70



Size	B1	B2	B3	B4	B10*	D1	D2 ∅ H7	D4	D5 ∅ H7
70	18.7	8.7	11.7	4.5	9	M5	5	M5	5

Size	D6	H1	H2	H3	H10*	L1	L2	L3	L4
70	M4	35	17.5	±0.1 20	29.4	±0.1 200	±0.1 90	±0.1 20	±0.03 20

Size	L5	L6	L7	L8	L10*	T1	T2	T3	T4
70	±0.1 10	±0.1 56	±0.1 40	±0.2 190	221	7.5	+0.1 3.1	10	6

* Protected version

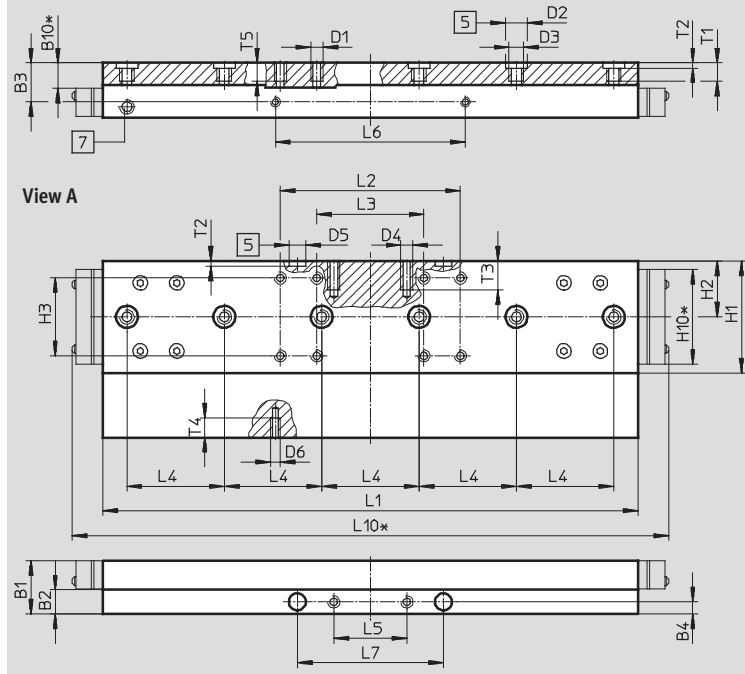
Spindle axes EGC-BS-KF, with recirculating ball bearing guide

Technical data

Dimensions Download CAD data → www.festo.com

GV – Extended slide/GQ – Extended slide, protected

Size 80



- 5 Hole for centring sleeve
- 7 Lubricating hole for spindle, M6 threaded connection, 8 mm deep
- * Protected version

Size	B1	B2	B3	B4	B10*	D1	D2 Ø H7	D3	D4	D5 Ø H7
80	22	10	16	5	10.4	M5	9	M6	M5	7

Size	D6	H1	H2	H3	H10*	L1	L2	L3	L4
80	M4	46	23	±0.2	39	±0.1	±0.2	±0.2	±0.03

Size	L5	L6	L7	L10*	T1	T2	T3	T4	T5
80	±0.1	±0.1	±0.05	245	8.6	+0.1	12	7	7.5

* Protected version

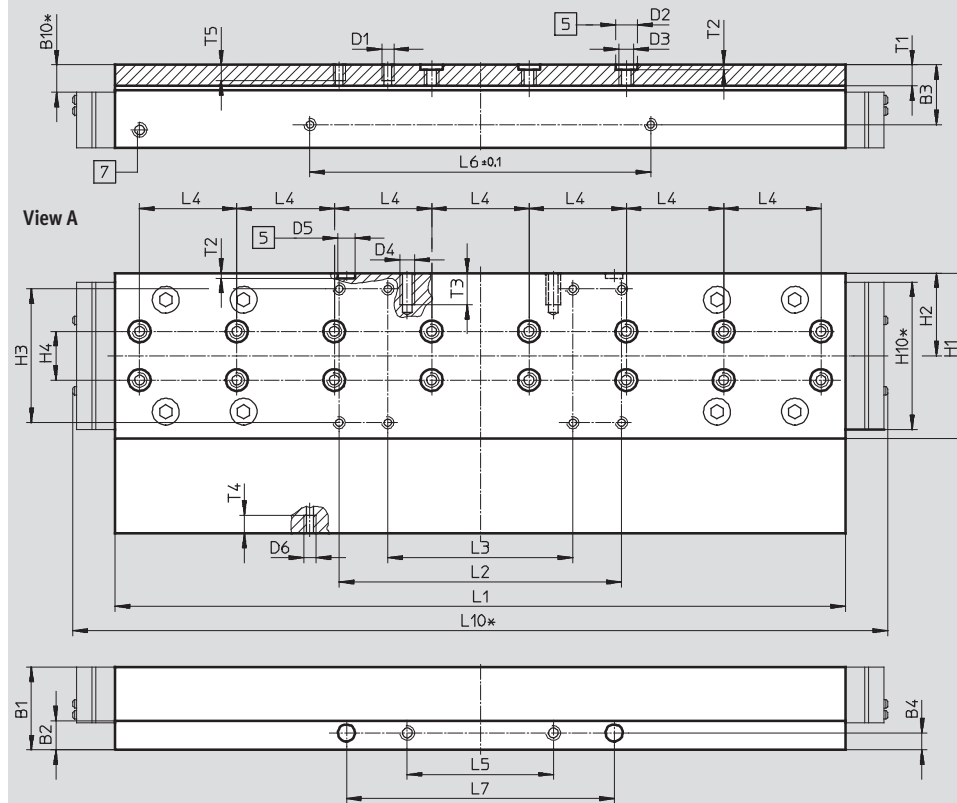
Spindle axes EGC-BS-KF, with recirculating ball bearing guide

Technical data

Dimensions Download CAD data → www.festo.com

GV – Extended slide/GQ – Extended slide, protected

Size 120



- 5 Hole for centring sleeve
- 7 Lubricating hole for spindle,
M6 threaded connection, 8 mm deep
- * Protected version

Size	B1	B2	B3	B4	B10*	D1	D2 ∅ H7	D3	D4	D5 ∅ H7
120	34	12	24.5	7	11.2	M5	9	M6	M6	7

Size	D6	H1	H2	H3	H4	H10*	L1	L2	L3	L4
120	M5	68	34	55 ±0.2	20	60.6	300	116 ±0.2	76 ±0.2	40

Size	L5	L6	L7	L8	L10*	T1	T2	T3	T4	T5
120	±0.1	±0.1	110 ±0.05	–	335	8.6	±0.1	13	7.5	7.5

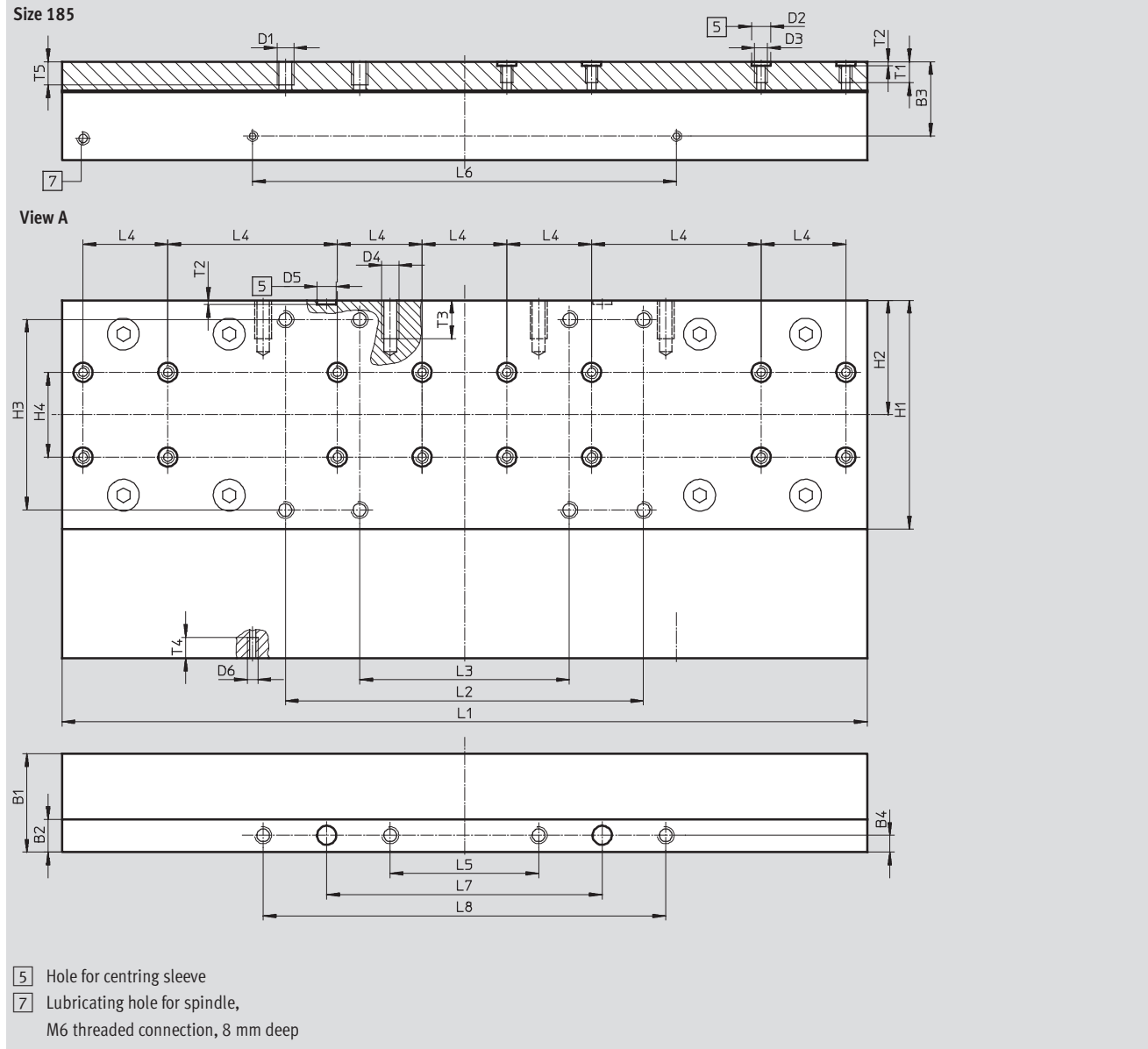
* Protected version

Spindle axes EGC-BS-KF, with recirculating ball bearing guide

Technical data

Dimensions Download CAD data → www.festo.com

GV – Extended slide



Size	B1	B2	B3	B4	D1	D2 ∅ H7	D3	D4	D5 ∅ H7
185	46.5	15.5	35.2	8	M8	9	M6	M8	9

Size	D6	H1	H2	H3	H4	L1	L2	L3	L4
185	M5	108	54	±0.2	±0.03	±0.1	±0.2	±0.2	±0.03

Size	L5	L6	L7	L8	T1	T2	T3	T4	T5
185	±0.2	±0.1	±0.05	±0.2	11	+0.1	18	10	12

Spindle axes EGC-BS-KF, with recirculating ball bearing guide

Technical data

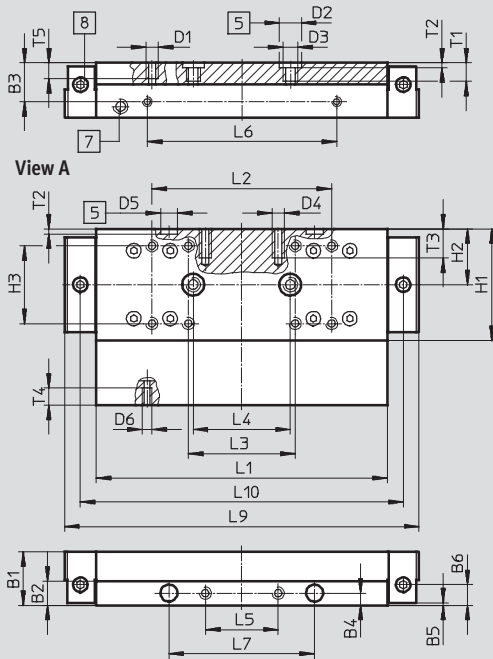


Dimensions

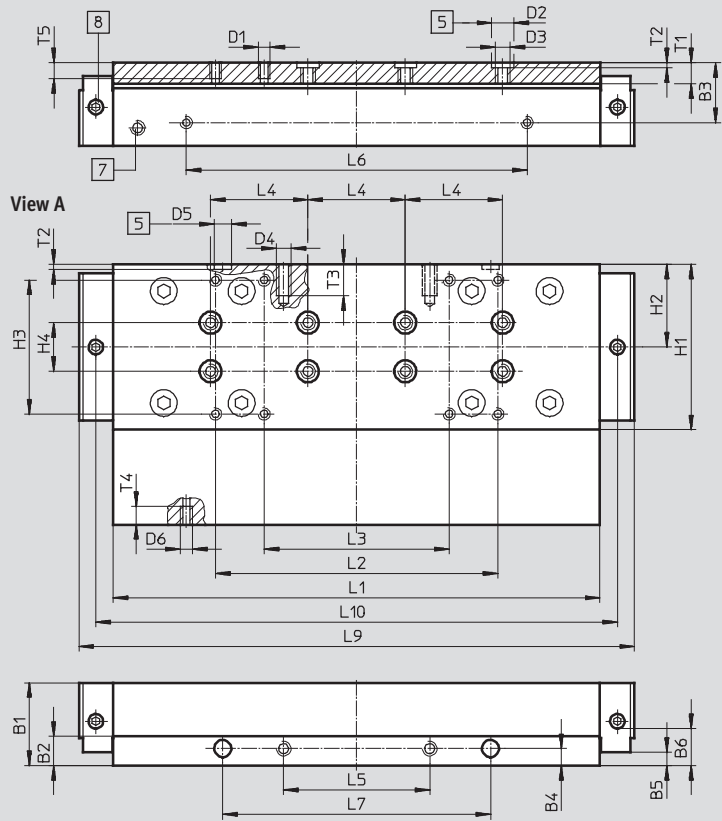
Download CAD data → www.festo.com

GK-C – Standard slide with lubrication adapter

Size 80



Size 120



- 5 Hole for centring sleeve
- 7 Lubricating hole for spindle, M6 threaded connection, 8 mm deep
- 8 Lubricating hole for lubrication adapter, M6 threaded connection, 6 mm deep

Size	B1	B2	B3	B4	B5	B6	D1	D2	D3	D4
					±0.1			∅ H7		
80	22	10	16	5	1	8.5	M5	9	M6	M5
120	34	12	24.5	7	5.5	18.2	M5	9	M6	M6

Size	D5	D6	H1	H2	H3	H4	L1	L2	L3	L4
	∅ H7				±0.2	±0.03	±0.1	±0.2	±0.2	±0.03
80	7	M4	46	23	32	–	120	74	44	40
120	7	M5	68	34	55	20	200	116	76	40

Size	L5	L6	L7	L9	L10	T1	T2	T3	T4	T5
	±0.1	±0.1	±0.05				+0.1			
80	30	78	60	146	133	8.6	2.1	12	7	7.5
120	60	140	110	226.9	214.3	8.6	2.1	13	7.5	7.5

Spindle axes EGC-BS-KF, with recirculating ball bearing guide

Technical data

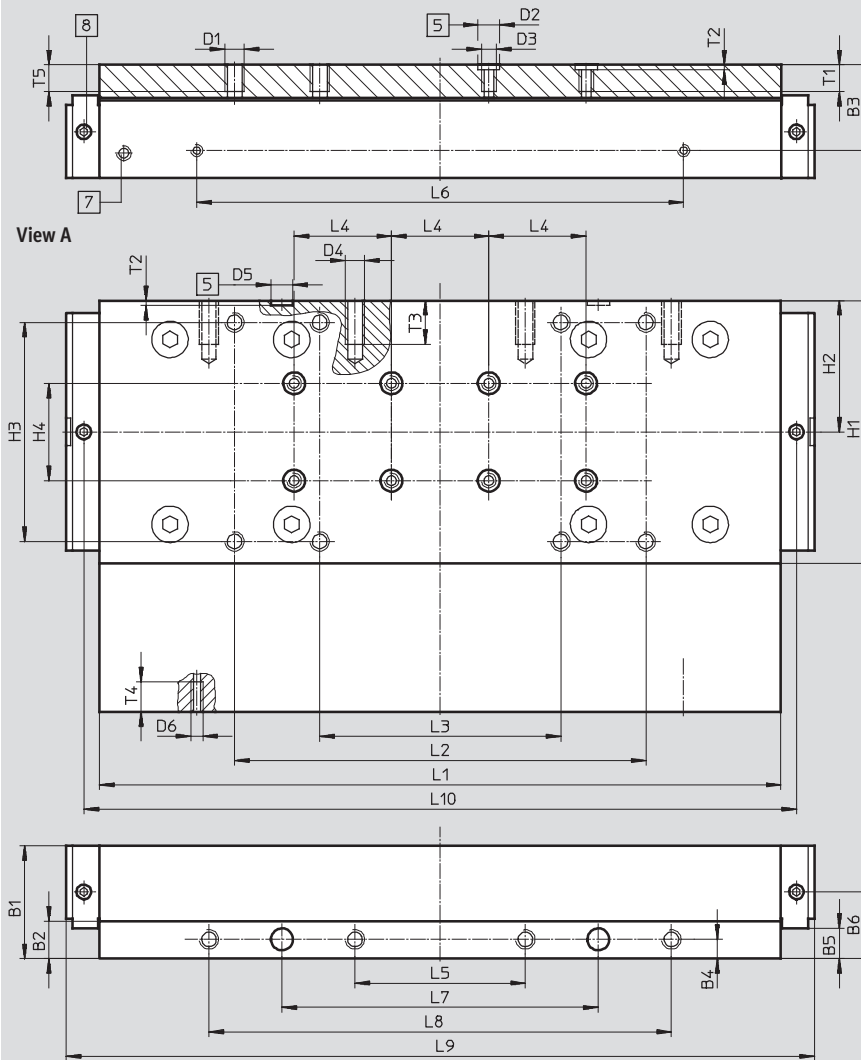
FESTO

Dimensions

Download CAD data → www.festo.com

GK-C – Standard slide with lubrication adapter

Size 185



- 5 Hole for centring sleeve
- 7 Lubricating hole for spindle, M6 threaded connection, 8 mm deep
- 8 Lubricating hole for lubrication adapter, M6 threaded connection, 6 mm deep

Size	B1	B2	B3	B4	B5	B6	D1	D2	D3	D4
185	46.5	15.5	35.2	8	±0.1	12.5	M8	9 ∅ H7	M6	M8

Size	D5	D6	H1	H2	H3	H4	L1	L2	L3	L4
185	9 ∅ H7	M5	108	54	±0.2	±0.03	±0.1	±0.2	±0.2	±0.03

Size	L5	L6	L7	L8	L9	L10	T1	T2	T3	T4	T5
185	±0.2	±0.1	±0.05	±0.2	307.4	292.8	11	+0.1	18	12.3	12

New
Lubrication adapter

Spindle axes EGC-BS-KF, with recirculating ball bearing guide

Technical data

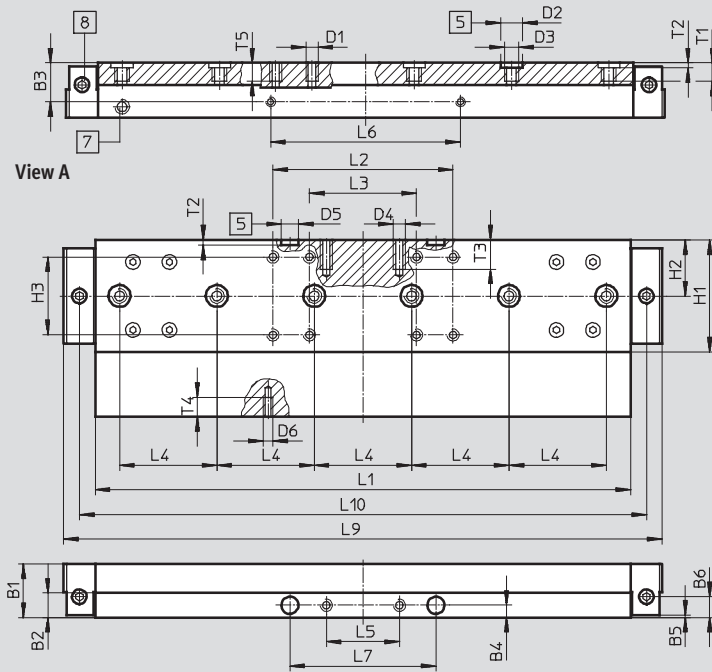
FESTO

Dimensions

Download CAD data → www.festo.com

GV-C – Extended slide with lubrication adapter

Size 80



- 5 Hole for centring sleeve
- 7 Lubricating hole for spindle,
M6 threaded connection, 8 mm deep
- 8 Lubricating hole for lubrication adapter,
M6 threaded connection, 6 mm deep

Size	B1	B2	B3	B4	B5	B6	D1	D2	D3	D4
80	22	10	16	5	±0.1	1	8.5	M5 ∅ H7	9	M6 M5

Size	D5	D6	H1	H2	H3	L1	L2	L3	L4	L5
80	7 ∅ H7	M4	46	23	±0.2	±0.1	±0.2	±0.2	±0.03	±0.1

Size	L6	L7	L9	L10	T1	T2	T3	T4	T5
80	±0.1	±0.05	246	233	8.6	+0.1	12	7	7.5

Spindle axes EGC-BS-KF, with recirculating ball bearing guide

Technical data

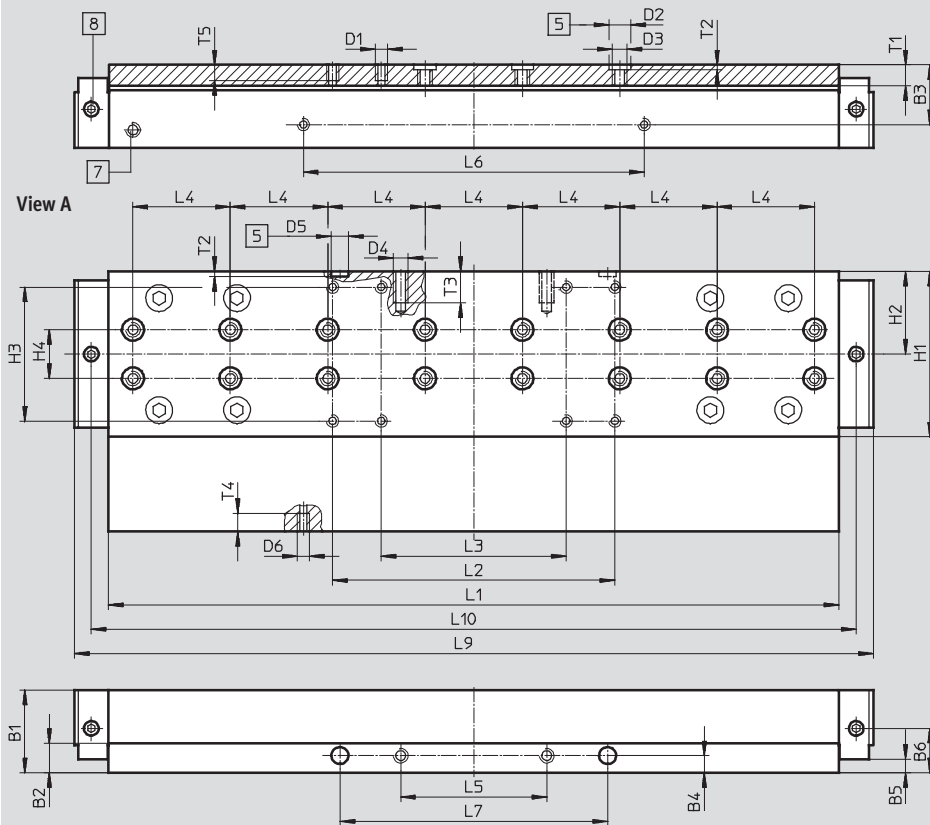
FESTO

Dimensions

Download CAD data → www.festo.com

GV-C – Extended slide with lubrication adapter

Size 120



- 5 Hole for centring sleeve
- 7 Lubricating hole for spindle,
M6 threaded connection, 8 mm deep
- 8 Lubricating hole for lubrication adapter,
M6 threaded connection, 6 mm deep

Size	B1	B2	B3	B4	B5	B6	D1	D2 ∅ H7	D3	D4
120	34	12	24.5	7	±0.1 5.5	18.2	M5	9	M6	M6

Size	D5 ∅ H7	D6	H1	H2	H3	H4	L1	L2	L3	L4
120	±0.2 7	M5	68	34	±0.2 55	±0.03 20	±0.1 300	±0.2 116	±0.2 76	±0.03 40

Size	L5	L6	L7	L9	L10	T1	T2	T3	T4	T5
120	±0.1 60	±0.1 140	±0.05 110	326.9	314.3	8.6	+0.1 2.1	13	7.5	7.5

Spindle axes EGC-BS-KF, with recirculating ball bearing guide

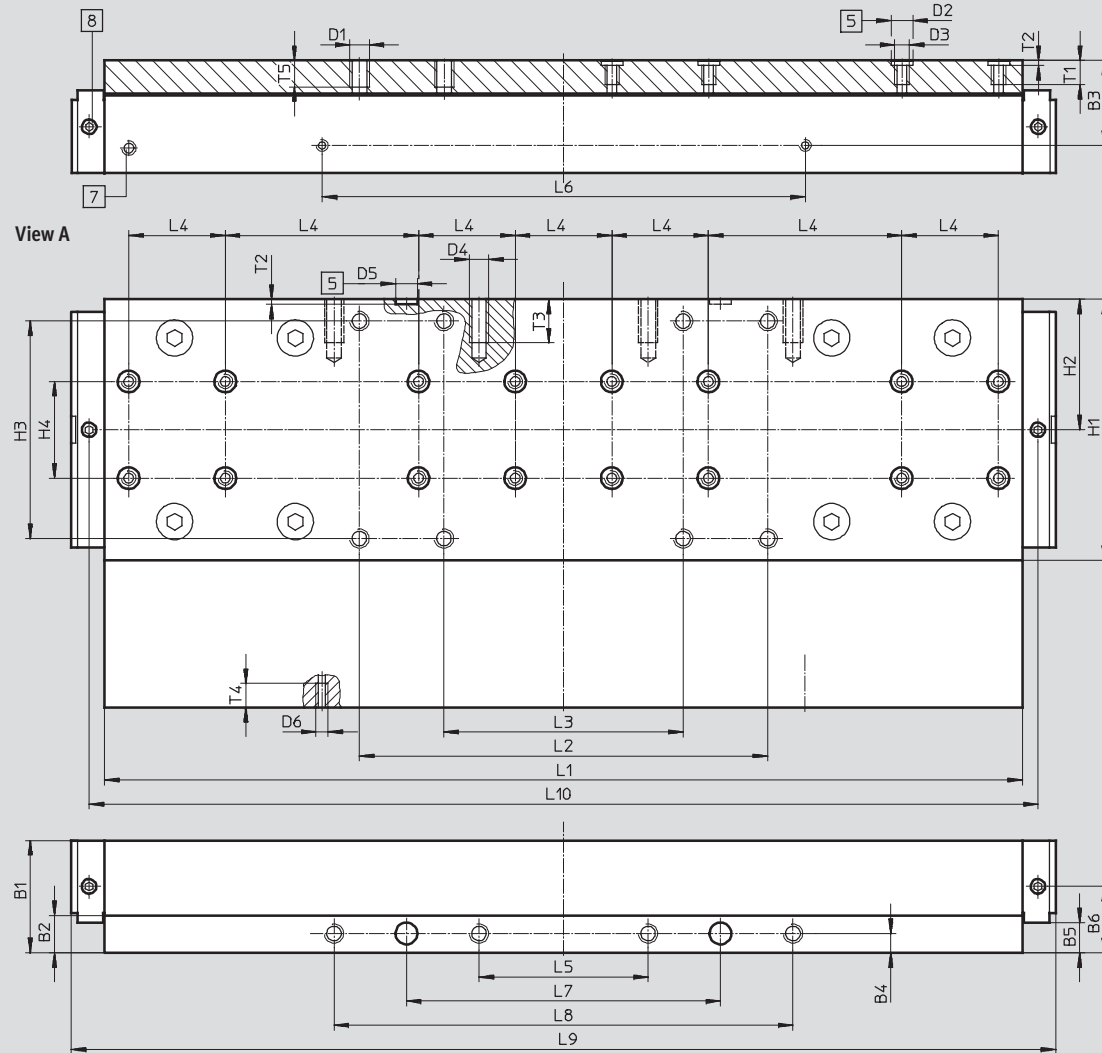
Technical data

Dimensions

Download CAD data → www.festo.com

GV-C – Extended slide with lubrication adapter

Size 185



- [5] Hole for centring sleeve
- [7] Lubricating hole for spindle, M6 threaded connection, 8 mm deep
- [8] Lubricating hole for lubrication adapter, M6 threaded connection, 6 mm deep

Size	B1	B2	B3	B4	B5	B6	D1	D2	D3	D4
185	46.5	15.5	35.2	8	±0.1	27.5	M8	∅ H7 9	M6	M8

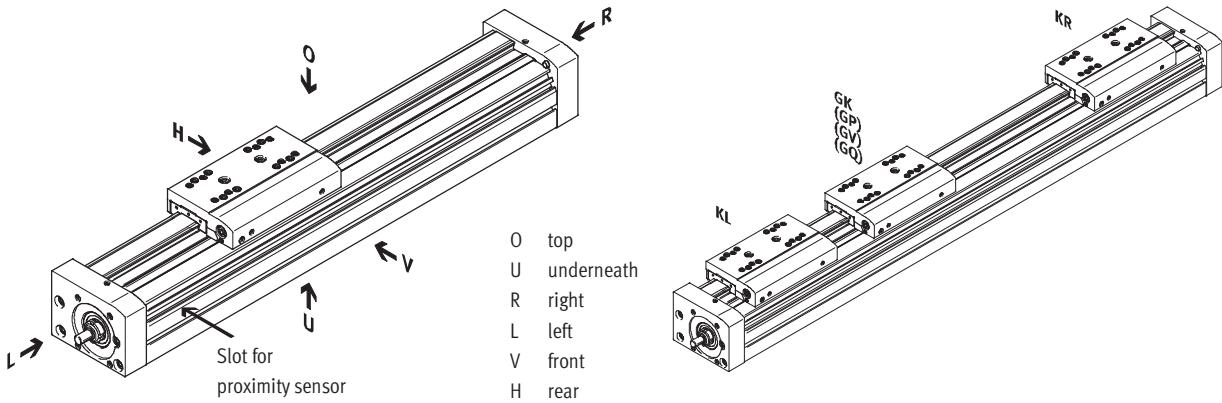
Size	D5	D6	H1	H2	H3	H4	L1	L2	L3	L4
185	∅ H7 9	M5	108	54	±0.2	±0.03	±0.1	±0.2	±0.2	±0.03

Size	L5	L6	L7	L8	L9	L10	T1	T2	T3	T4	T5
185	±0.2	±0.1	±0.05	±0.2	407.4	392.8	11	+0.1	18	10	12

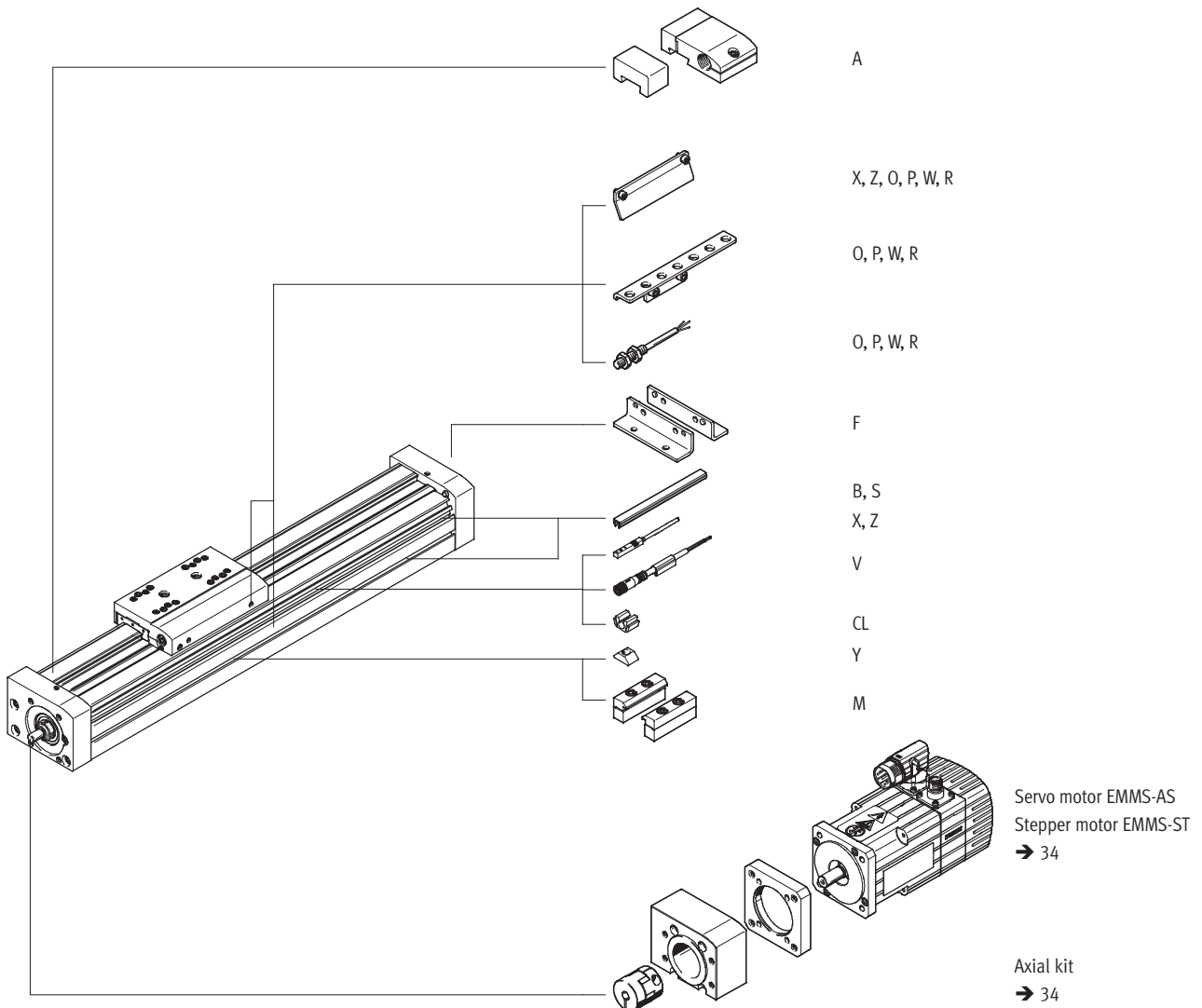
Spindle axes EGC-BS-KF, with recirculating ball bearing guide

Ordering data – Modular products

Order code
Mandatory data



Accessories



Note
Spindle support enables maximum travel speed with all stroke lengths (on request)

Spindle axes EGC-BS-KF, with recirculating ball bearing guide

Ordering data – Modular products

Ordering table							
Size	70	80	120	185	Condi- tions	Code	Enter code
M Module No.	556807	556808	556809	556811			
Design	Linear axis					EGC	EGC
Size	70	80	120	185		-...	
Stroke for GK, GP [mm] (without stroke reserve)	100; 200; 300; 400; 500; 600; 700; 800; 1,000	100; 200; 300; 500; 600; 800; 1,000; 1,400; 1,500; 1,800; 2,000	200; 300; 500; 600; 800; 1,000; 1,400; 1,500; 2,000; 2,500	300; 500; 600; 1,000; 1,500; 2,000; 2,500; 3,000		-...	-...
Stroke for GV, GQ [mm] (without stroke reserve)	100; 200; 300; 400; 500; 600; 700; 900	100; 200; 400; 500; 700; 900; 1,300; 1,400; 1,700; 1,900	100; 200; 400; 500; 700; 900; 1,300; 1,400; 1,900; 2,400	200; 400; 500; 900; 1400; 1,900; 2,400; 2,900		-...	
Function	Ball screw spindle					-BS	-BS
Spindle pitch	10	10	10	-		-10P	
	-	20	-	-		-20P	
	-	-	25	-		-25P	
	-	-	-	40		-40P	
Guide	Recirculating ball bearing guide					-KF	-KF
Stroke reserve [mm]	0 ... 999 (0 = no stroke reserve)				¹	-...H	
Motor attachment position	Motor on the left					-ML	
	Motor on the right					-MR	
Slide	Standard slide					-GK	
	Extended slide, protected				-	-GQ	
	Standard slide, protected				-	-GP	
	Extended slide					-GV	
O Additional slide	Left	Additional slide, standard, on left			²	-KL	
	Right	Additional slide, standard, on right			²	-KR	
Lubrication function	Standard						
	-	Lubrication adapter				-C	

- ¹ -... The sum of the stroke length and 2x stroke reserve must not exceed the maximum stroke length.
- ² **KL, KR** If the protected slide variant (GQ, GP) is selected, then the additional slide (KL, KR) is also protected.
If the extended slide variant (GQ, GV) is selected, then the additional slide (KL, KR) is not extended.
If the slide with lubrication adapter (GK-C, GV-C) is selected, then the additional slide (KL, KR) is also supplied with lubrication adapter.

Order code


- - - - - - - - - -

Spindle axes EGC-BS-KF, with recirculating ball bearing guide

Ordering data – Modular products

Ordering table					Condi- tions	Code	Enter code
Size		70	80	120			
↓	Accessories	Accessories enclosed separately				ZUB-	ZUB-
○	Foot mounting	1				F	
	Profile mounting	1 ... 50				...M	
	Cover	Mounting slot	1 ... 50 (1 = 2 units, 500 mm)			...B	
		Sensor slot	1 ... 50 (1 = 2 units, 500 mm)			...S	
	Slot nut for mounting slot	1 ... 99				...Y	
	Proximity sensor (SIES), inductive, slot type 8, PNP, incl. switch lug	N/O contact, cable 7.5 m	1 ... 6			...X	
		N/C contact, cable 7.5 m	1 ... 6			...Z	
	Emergency buffer with retainer	1 ... 2			3	...A	
	Proximity sensor (SIEN), inductive, M8, PNP, incl. switch lug with sensor bracket	N/O contact, cable 2.5 m	1 ... 99			...O	
		N/C contact, cable 2.5 m	1 ... 99			...P	
		N/O contact, plug M8	1 ... 99			...W	
		N/C contact, plug M8	1 ... 99			...R	
	Plug socket with cable 2.5 m, M8, 3-wire	1 ... 99				...V	
	Cable clip	10, 20, 30, 40, 50, 60, 70, 80, 90				...CL	
	Operating instructions	Express waiver - no operating instructions to be included (already available) (operating instructions in pdf format are available free of charge on the Internet at www.festo.com)				-DN	

3] ... A Emergency buffer with retainer A cannot be combined with slides GP, GQ, GK-C, GV-C

-  - Note

The code X, Z includes a switch lug in the scope of delivery.

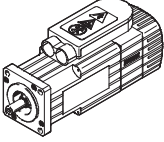
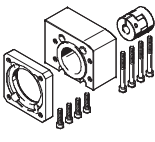
The code O, P, W, R includes one switch lug and max. two sensor brackets in the scope of delivery.

Transfer order code

ZUB - -

Spindle axes EGC-BS-KF, with recirculating ball bearing guide

Accessories

Permissible axis/motor combinations with axial kit		
Motor	Axial kit	
		
Type	Part No.	Type
EGC-70		
with servo motor		
EMMS-AS-40-M...	558162	EAMM-A-S38-40A
EMMS-AS-55-S...	558163	EAMM-A-S38-55A
with stepper motor		
EMMS-ST-42-S...	560685	EAMM-A-S38-42A
EMMS-ST-57-S...	560686	EAMM-A-S38-57A
EGC-80		
with servo motor		
EMMS-AS-55-S...	558164	EAMM-A-S48-55A
EMMS-AS-70-S...	558165	EAMM-A-S48-70A
with stepper motor		
EMMS-ST-57-S...	560687	EAMM-A-S48-57A
EMMS-ST-87-S-... ¹⁾²⁾	560688	EAMM-A-S48-87A
EMMS-ST-87-M-... ²⁾		
EGC-120		
with servo motor		
EMMS-AS-70-M...	558166	EAMM-A-S62-70A
EMMS-AS-100-S...	558167	EAMM-A-S62-100A
EMMS-AS-140-S...	558168	EAMM-A-S62-140A
with stepper motor		
EMMS-ST-87-S-... ¹⁾	560689	EAMM-A-S62-87A
EMMS-ST-87-M-... ³⁾		
EMMS-ST-87-L-... ³⁾		
EGC-185		
with servo motor		
EMMS-AS-100-M...	558169	EAMM-A-S95-100A
EMMS-AS-140-M...	558170	EAMM-A-S95-140A

1) In combination with spindle pitch 10

2) In combination with spindle pitch 20

3) In combination with spindle pitch 25

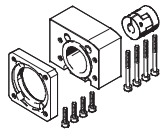
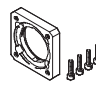
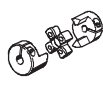
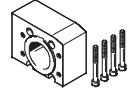

 Note

For the optimum selection of axis/motor combinations →

Sizing software
PositioningDrives
www.festo.com

Spindle axes EGC-BS-KF, with recirculating ball bearing guide

Accessories

Individual components of the axial kit				
Axial kit	Axial kit comprising:			
	Motor flange	Coupling	Coupling housing	Screws
				
Part No. Type	Part No. Type	Part No. Type	Part No. Type	Part No. Type
EGC-70				
558162 EAMM-A-S38-40A	558175 EAMF-A-38B-40A	558312 EAMC-30-32-6-6	558171 EAMK-A-S38-38A/B	–
558163 EAMM-A-S38-55A	558176 EAMF-A-38A-55A	551003 EAMC-30-32-6-9	558171 EAMK-A-S38-38A/B	567488 EAHM-L2-M5-50
560685 EAMM-A-S38-42A	560691 EAMF-A-38B-42A	561333 EAMC-30-32-5-6	558171 EAMK-A-S38-38A/B	–
560686 EAMM-A-S38-57A	560692 EAMF-A-38A-57A	551002 EAMC-30-32-6-6.35	558171 EAMK-A-S38-38A/B	567488 EAHM-L2-M5-50
EGC-80				
558164 EAMM-A-S48-55A	558177 EAMF-A-48B-55A	543423 EAMC-30-32-8-9	558172 EAMK-A-S48-48A/B	–
558165 EAMM-A-S48-70A	558025 EAMF-A-48A-70A	551004 EAMC-30-32-8-11	558172 EAMK-A-S48-48A/B	567488 EAHM-L2-M5-50
560687 EAMM-A-S48-57A	560694 EAMF-A-48B-57A	543421 EAMC-30-32-6.35-8	558172 EAMK-A-S48-48A/B	–
560688 EAMM-A-S48-87A	560695 EAMF-A-48A-87A	551004 EAMC-30-32-8-11	558172 EAMK-A-S48-48A/B	567489 EAHM-L2-M5-55
EGC-120				
558166 EAMM-A-S62-70A	558179 EAMF-A-62B-70A	558313 EAMC-42-66-11-12	558173 EAMK-A-S62-62A/B	–
558167 EAMM-A-S62-100A	558026 EAMF-A-62A-100A	551005 EAMC-42-50-12-19	558173 EAMK-A-S62-62A/B	567494 EAHM-L2-M6-80
558168 EAMM-A-S62-140A	558022 EAMF-A-62A-140A	558314 EAMC-42-50-12-24	558173 EAMK-A-S62-62A/B	567495 EAHM-L2-M6-90
560689 EAMM-A-S62-87A	560696 EAMF-A-62B-87A	558313 EAMC-42-66-11-12	558173 EAMK-A-S62-62A/B	–
EGC-185				
558169 EAMM-A-S95-100A	558182 EAMF-A-95B-100A	558315 EAMC-56-58-19-25	558174 EAMK-A-S95-95A/B	–
558170 EAMM-A-S95-140A	558023 EAMF-A-95A-140A	558316 EAMC-56-58-24-25	558174 EAMK-A-S95-95A/B	567498 EAHM-L2-M8-100

Spindle axes EGC-BS-KF, with recirculating ball bearing guide

Accessories

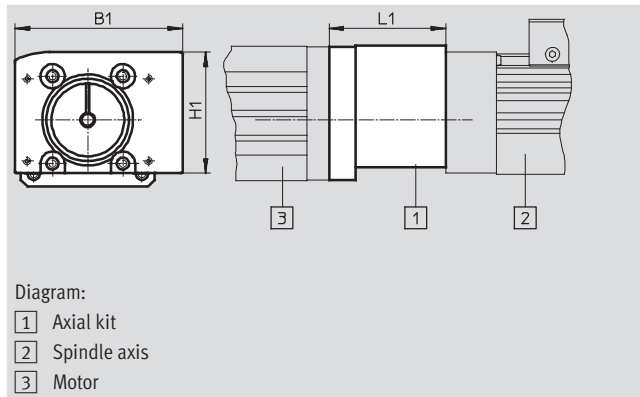
Axial kit EAMM-A-...

Material:

Coupling housing, coupling hubs,

motor flange: Aluminium

Screws: Galvanised steel



General technical data									
EAMM-A-...		S38-				S48-			
		40A	42A	55A	57A	55A	57A	70A	87A
Transferable torque	[Nm]	6.5	3.5	6.5	6.5	12.5	6.5	12.5	12.5
Mass moment of inertia	[kgmm ²]	5.87	5.88	5.87	5.87	5.87	5.87	5.87	5.87
Max. rotational speed	[rpm]	8,000	8,000	8,000	8,000	8,000	8,000	8,000	8,000
Mounting position		Any							

EAMM-A-...		S62-				S95-	
		70A	87A	100A	140A	100A	140A
Transferable torque	[Nm]	17	17	17	17	60	60
Mass moment of inertia	[kgmm ²]	45.5	45.5	34.8	34.1	128	127
Max. rotational speed	[rpm]	6,000	6,000	6,000	6,000	5,500	5,500
Mounting position		Any					

Operating and environmental conditions	
Ambient temperature	[°C] -10 ... +60
Storage temperature	[°C] -25 ... +60
Protection class ¹⁾	IP40
Relative air humidity	[%] 0 ... 95

1) Only with combined attachment of motor and axis

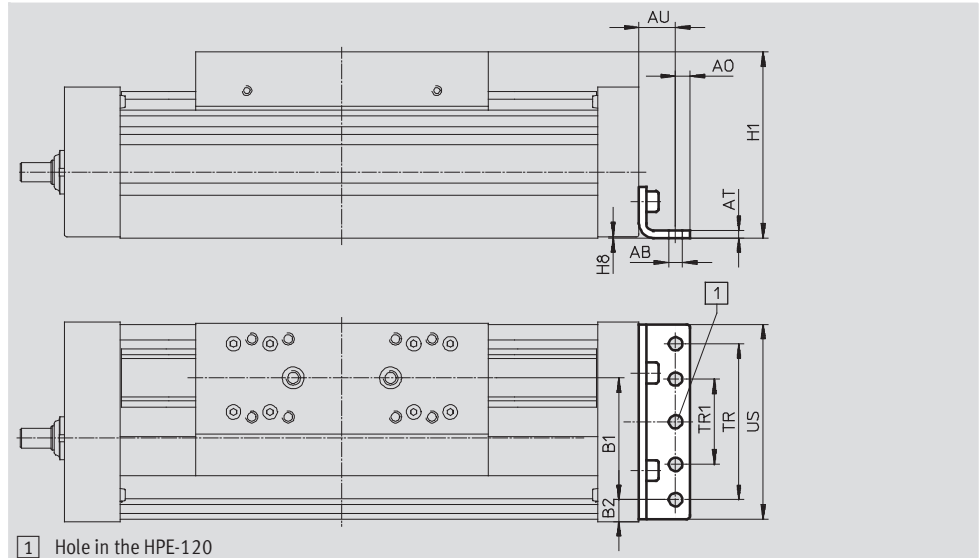
Dimensions and ordering data						
Type	B1	H1	L1	Weight [g]	Part No.	Type
EAMM-A-S38-40A	69	50	44	370	558162	EAMM-A-S38-40A
EAMM-A-S38-42A			52	412	560685	EAMM-A-S38-42A
EAMM-A-S38-55A			48	400	558163	EAMM-A-S38-55A
EAMM-A-S38-57A			48	400	560686	EAMM-A-S38-57A
EAMM-A-S48-55A	82	61.5	47.2	590	558164	EAMM-A-S48-55A
EAMM-A-S48-57A			47.2	580	560687	EAMM-A-S48-57A
EAMM-A-S48-70A			50.2	610	558165	EAMM-A-S48-70A
EAMM-A-S48-87A			54	760	560688	EAMM-A-S48-87A
EAMM-A-S62-70A	120	88.5	78.5	1,950	558166	EAMM-A-S62-70A
EAMM-A-S62-87A			81.5	2,070	560689	EAMM-A-S62-87A
EAMM-A-S62-100A			81	2,050	558167	EAMM-A-S62-100A
EAMM-A-S62-140A			91	2,870	558168	EAMM-A-S62-140A
EAMM-A-S95-100A	186	140.5	85.5	4,910	558169	EAMM-A-S95-100A
EAMM-A-S95-140A			95.5	5,500	558170	EAMM-A-S95-140A

Spindle axes EGC-BS-KF, with recirculating ball bearing guide

Accessories

Foot mounting HPE
(order code F)

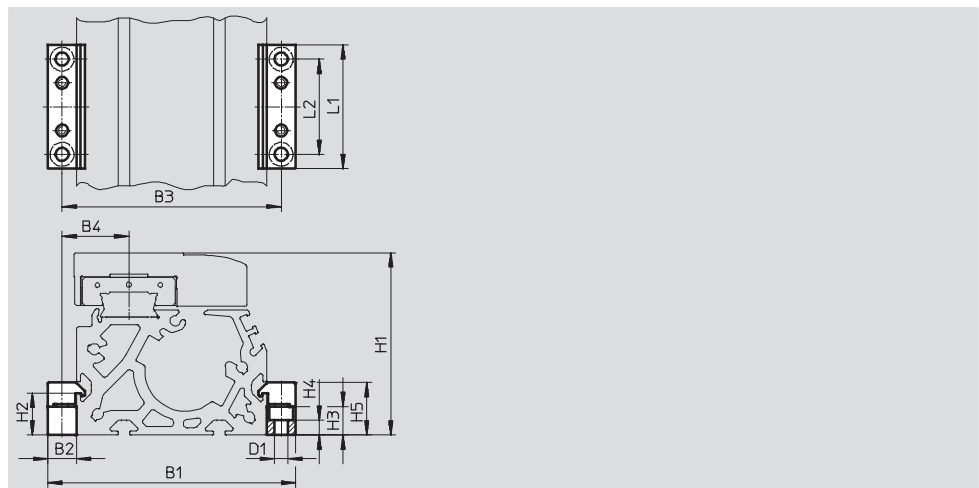
Material:
Galvanised steel
RoHS-compliant



Dimensions and ordering data														
For size	AB ∅	A0	AT	AU	B1	B2	H1	H8	TR	TR1	US	Weight [g]	Part No.	Type
70	5.5	6	3	13	37	14.5	64	0.5	40	-	67	115	558321	HPE-70
80	5.5	6	3	15	38	21	76.5	0.5	40	-	80	150	558322	HPE-80
120	9	8	6	22	65	20	111.5	0.6	80	-	116	578	558323	HPE-120
185	9	12	8	25	118	13	172.5	0.5	160	80	182	1,438	558325	HPE-185

Profile mounting MUE
(order code M)

Material:
Anodised aluminium
RoHS-compliant



Dimensions and ordering data															
For size	B1	B2	B3	B4	D1 ∅	H1	H2	H3	H4	H5	L1	L2	Weight [g]	Part No.	Type
70	91	12	79	22.5	5.5	64	17.5	12	6.2	22	52	40	80	558043	MUE-70/80
80	104	12	92	28	5.5	76.5	17.5	12	6.2	22	52	40	80	558043	MUE-70/80
120	154	19	135	42.5	9	111.5	16	14	5.5	29.5	90	40	290	558044	MUE-120/185
185	220	19	201	62.5	9	172.5	16	14	5.5	29.5	90	40	290	558044	MUE-120/185

Spindle axes EGC-BS-KF, with recirculating ball bearing guide

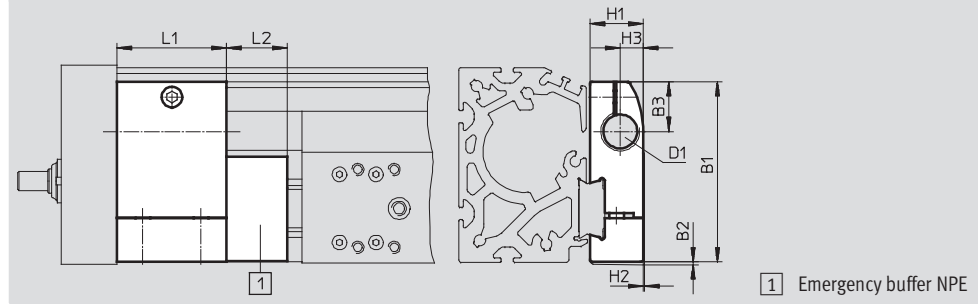
Accessories



Shock absorber retainer KYE
Emergency buffer NPE → 40
(order code A)

Material:
Anodised aluminium
RoHS-compliant

Cannot be used in combination with
the variants GP and GQ or GK-C and
GV-C.

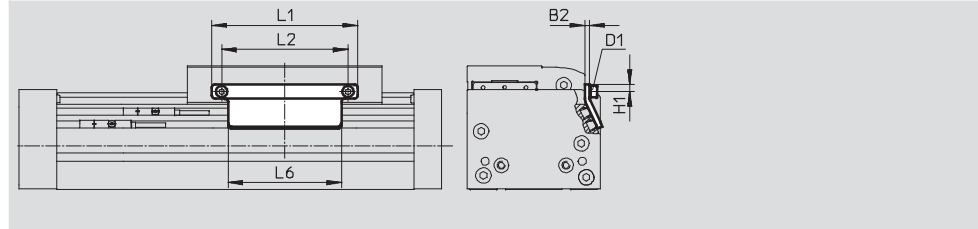


1 Emergency buffer NPE

Dimensions and ordering data												
For size	B1	B2	B3	D1	H1	H2	H3	L1	L2	Weight [g]	Part No.	Type
70	57.5	1	16.5	M12X1	18.2	0.5	7.5	30	15	75	557584	KYE-70
80	74.2	1	20.5	M16X1	22	0.5	9.5	45	25	170	557585	KYE-80
120	108.5	1	26	M22X1.5	31	1	14	60	40	680	557586	KYE-120
185	168	1	37	M26X1.5	42	4	18	75	60	1,075	557587	KYE-185

Switch lug SF-EGC-1
For sensing with proximity sensor
SIES-8M
(order code X or Z)

Material:
Galvanised steel
RoHS-compliant



Dimensions and ordering data									
For size	B2	D1	H1	L1	L2	L6	Weight [g]	Part No.	Type
70	3	M4	4.65	70	56	50	50	558047	SF-EGC-1-70
80	3	M4	4.65	90	78	70	60	558048	SF-EGC-1-80
120	3	M5	8	170	140	170	150	558049	SF-EGC-1-120
185	3	M5	10	230	200	230	245	558051	SF-EGC-1-185

Spindle axes EGC-BS-KF, with recirculating ball bearing guide

Accessories

Switch lug SF-EGC-2

For sensing with proximity sensor
SIEN-M8B (order code O, P, W or R) or
SIES-8M (order code X or Z)

Material:

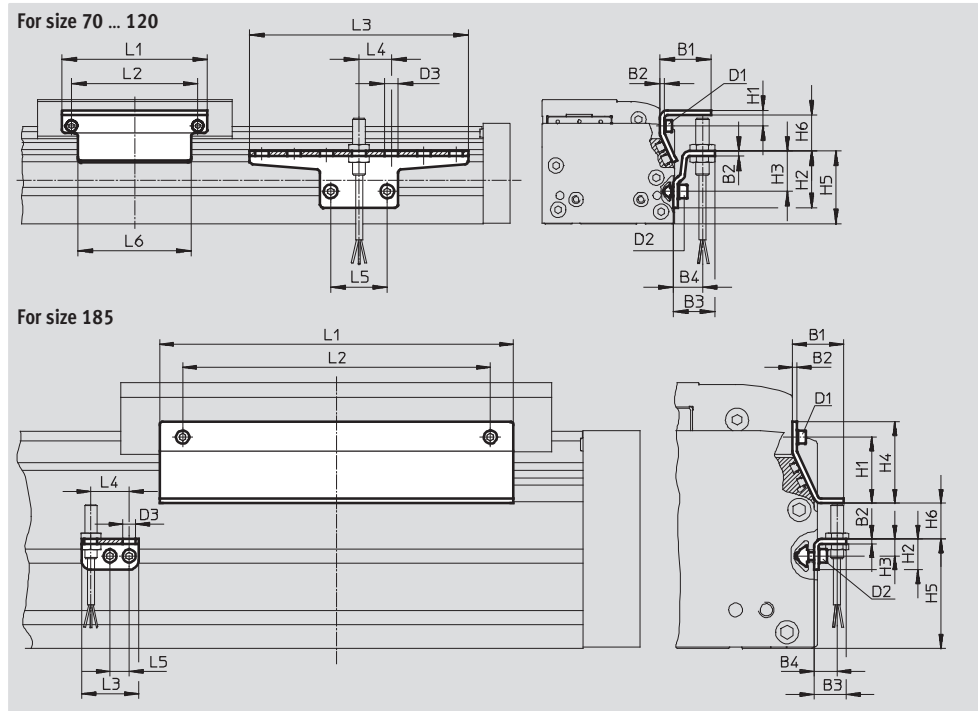
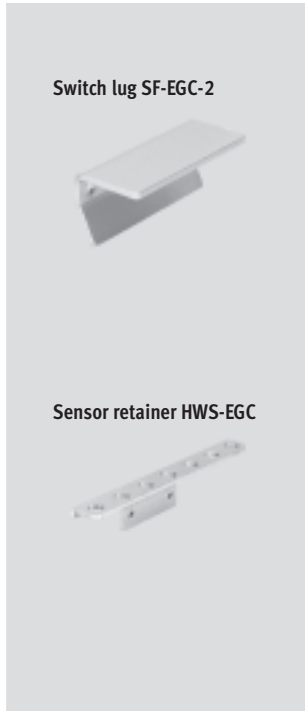
Galvanised steel
RoHS-compliant

Sensor retainer HWS-EGC

For proximity sensor SIEN-M8B
(order code O, P, W or R)

Material:

Galvanised steel
RoHS-compliant



Dimensions and ordering data									
For size	B1	B2	B3	B4	D1	D2	D3	H1	H2
70	31.5	3	25.5	18	M4	M5	8.4	9.5	35
80	31.5	3	25.5	18	M4	M5	8.4	9.5	35
120	32	3	25.5	18	M5	M5	8.4	13.2	65
185	33	3	25.5	15	M5	M5	8.4	43	20

For size	H3	H4	H5	H6 max.	L1	L2	L3	L4	L5	L6
70	25	-	45	13.5	70	56	135	20	35	50
80	25	-	45	23.5	90	78	135	20	35	70
120	55	-	75	24	170	140	215	20	35	170
185	11	53	71	25.5	230	200	37	25	12.5	230

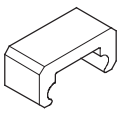


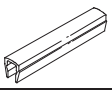
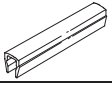

For size	Weight [g]	Part No.	Type
Switch lug			
70	100	558052	SF-EGC-2-70
80	130	558053	SF-EGC-2-80
120	280	558054	SF-EGC-2-120
185	390	558056	SF-EGC-2-185

For size	Weight [g]	Part No.	Type
Sensor retainer			
70	110	558057	HWS-EGC-M5
80	110	558057	HWS-EGC-M5
120	200	558058	HWS-EGC-M8
185	60	560517	HWS-EGC-M8:KURZ

Spindle axes EGC-BS-KF, with recirculating ball bearing guide

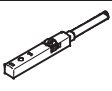
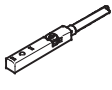
FESTO

Accessories

Ordering data						
	For size	Remarks	Order code	Part No.	Type	PU ¹⁾
Emergency buffer NPE						
	70	Use in combination with shock absorber retainer KYE	A	562581	NPE-70	1
	80			562582	NPE-80	
	120			562583	NPE-120	
	185			562584	NPE-185	
Slot nut NST						
	70, 80	For mounting slot	Y	150914	NST-5-M5	1
	120, 185			150915	NST-8-M6	
Centring pin/sleeve ZBS/ZBH²⁾						
	70	For slide	-	150928	ZBS-5	10
	80, 120, 185			150927	ZBH-9	
Slot cover ABP						
	70, 80	For mounting slot every 0.5 m	B	151681	ABP-5	2
	120, 185			151682	ABP-8	
Slot cover ABP-S						
	70 ... 185	For sensor slot every 0.5 m	S	563360	ABP-5-S1	2
Clip SMBK						
	70 ... 185	For sensor slot, for mounting the proximity sensor cable	CL	534254	SMBK-8	10


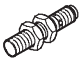


1) Packaging unit quantity



2) 2 centring pins/sleeves included in the scope of delivery for the axis

Ordering data – Proximity sensors for T-slot, inductive							Technical data → Internet: sies	
	Type of mounting	Electrical connection	Switching output	Cable length [m]	Order code	Part No.	Type	
N/O contact								
	Insertable in the slot from above, flush with the cylinder profile	Cable, 3-wire	PNP	7.5	X	551386	SIES-8M-PS-24V-K-7,5-OE	
		Plug M8x1, 3-pin		0.3	-	551387	SIES-8M-PS-24V-K-0,3-M8D	
		Cable, 3-wire	NPN	7.5	-	551396	SIES-8M-NS-24V-K-7,5-OE	
		Plug M8x1, 3-pin		0.3	-	551397	SIES-8M-NS-24V-K-0,3-M8D	
N/C contact								
	Insertable in the slot from above, flush with the cylinder profile	Cable, 3-wire	PNP	7.5	Z	551391	SIES-8M-PO-24V-K-7,5-OE	
		Plug M8x1, 3-pin		0.3	-	551392	SIES-8M-PO-24V-K-0,3-M8D	
		Cable, 3-wire	NPN	7.5	-	551401	SIES-8M-NO-24V-K-7,5-OE	
		Plug M8x1, 3-pin		0.3	-	551402	SIES-8M-NO-24V-K-0,3-M8D	

Spindle axes EGC-BS-KF, with recirculating ball bearing guide

Accessories

Ordering data – Inductive proximity sensors M8						Technical data → Internet: sien	
	Electrical connection	LED	Switching output	Cable length [m]	Order code	Part No.	Type
N/O contact							
	Cable, 3-wire	■	PNP	2.5	O	150386	SIEN-M8B-PS-K-L
	Plug M8x1, 3-pin	■	PNP	–	W	150387	SIEN-M8B-PS-S-L
N/C contact							
	Cable, 3-wire	■	PNP	2.5	P	150390	SIEN-M8B-PO-K-L
	Plug M8x1, 3-pin	■	PNP	–	R	150391	SIEN-M8B-PO-S-L

Ordering data – Connecting cables				Technical data → Internet: nebu	
	Electrical connection, left	Electrical connection, right	Cable length [m]	Part No.	Type
	Straight socket, M8x1, 3-pin	Cable, open end, 3-wire	2.5	159420	SIM-M8-3GD-2,5-PU
			2.5	541333	NEBU-M8G3-K-2.5-LE3
			5	541334	NEBU-M8G3-K-5-LE3
	Angled socket, M8x1, 3-pin	Cable, open end, 3-wire	2.5	541338	NEBU-M8W3-K-2.5-LE3
			5	541341	NEBU-M8W3-K-5-LE3